

NOTES:

1. SUBSTRATE: BOROFLOAT33
2. COATING

DURABILITY:

PHYSICAL: MIL-C-48497A, SECTION 3.4.1
 ENVIRONMENTAL: MIL-STD-810F, SECTION 507.4

PERFORMANCE SPECIFICATIONS @ 0° AOI

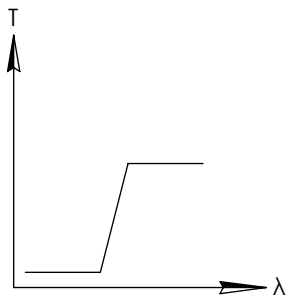
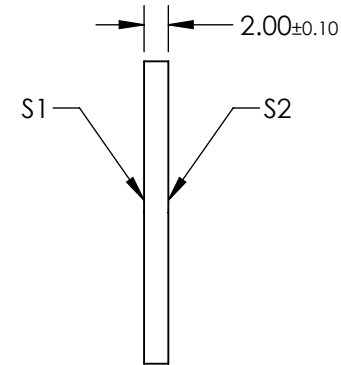
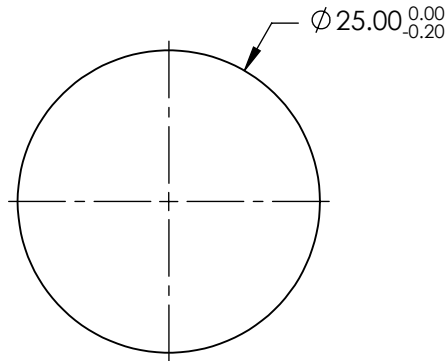
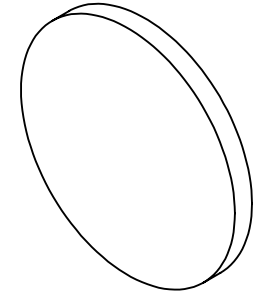
T(AVG): ≥85% FROM 730 - 1600nm

T(AVG): ≤1% FROM 400 - 665nm

CUT-ON WAVELENGTH: T(ABS) = 50% @ 700nm ± 14nm

3. ROHS COMPLIANT

**FOR INFORMATION ONLY:
 DO NOT MANUFACTURE
 PARTS TO THIS DRAWING**

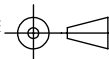


LONGPASS FILTER

SPECIFICATIONS SUBJECT TO CHANGE WITHOUT NOTICE
 DIMENSIONS ARE FOR REFERENCE ONLY

	S1	S2
SHAPE	PLANO	PLANO
SURFACE QUALITY	60-40	60-40
CLEAR APERTURE	Ø22.5	Ø22.5
BEVEL	PROTECTIVE AS NEEDED	PROTECTIVE AS NEEDED

THIRD ANGLE PROJECTION



ALL DIMS IN

mm

EO® **Edmund Optics**®

TITLE

FILTER OD2 LONGPASS 700nm 25mm

DWG NO

15228

SHEET
1 OF 1