

NOTES:

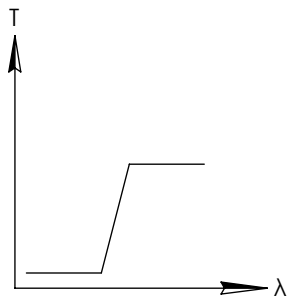
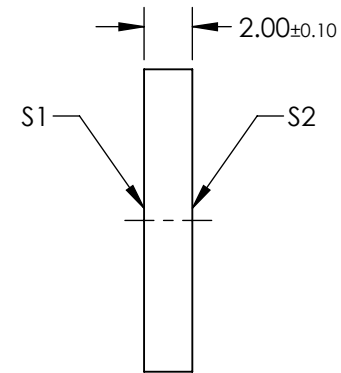
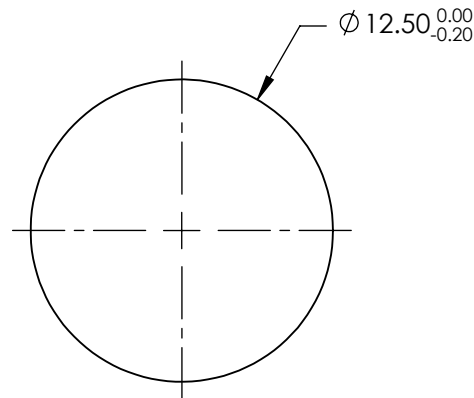
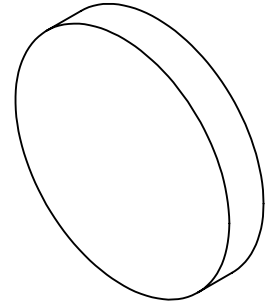
1. SUBSTRATE: BOROFLOAT33
2. COATING

DURABILITY:
 PHYSICAL: MIL-C-48497A, SECTION 3.4.1
 ENVIRONMENTAL: MIL-STD-810F, SECTION 507.4

PERFORMANCE SPECIFICATIONS @ 0° AOI
 T(AVG): ≥85% FROM 675 - 1600nm
 T(AVG): ≤1% FROM 400 - 615nm
 CUT-ON WAVELENGTH: T(ABS) = 50% @ 650nm ± 13nm

3. ROHS COMPLIANT

FOR INFORMATION ONLY:
 DO NOT MANUFACTURE
 PARTS TO THIS DRAWING

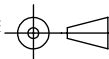


LONGPASS FILTER

SPECIFICATIONS SUBJECT TO CHANGE WITHOUT NOTICE
 DIMENSIONS ARE FOR REFERENCE ONLY

	S1	S2
SHAPE	PLANO	PLANO
SURFACE QUALITY	60-40	60-40
CLEAR APERTURE	Ø11.25	Ø11.25
BEVEL	PROTECTIVE AS NEEDED	PROTECTIVE AS NEEDED

THIRD ANGLE
 PROJECTION



ALL DIMS IN

mm

EO® **Edmund Optics**®

TITLE

FILTER OD2 LONGPASS 650nm 12.5mm

DWG NO

15215

SHEET
 1 OF 1