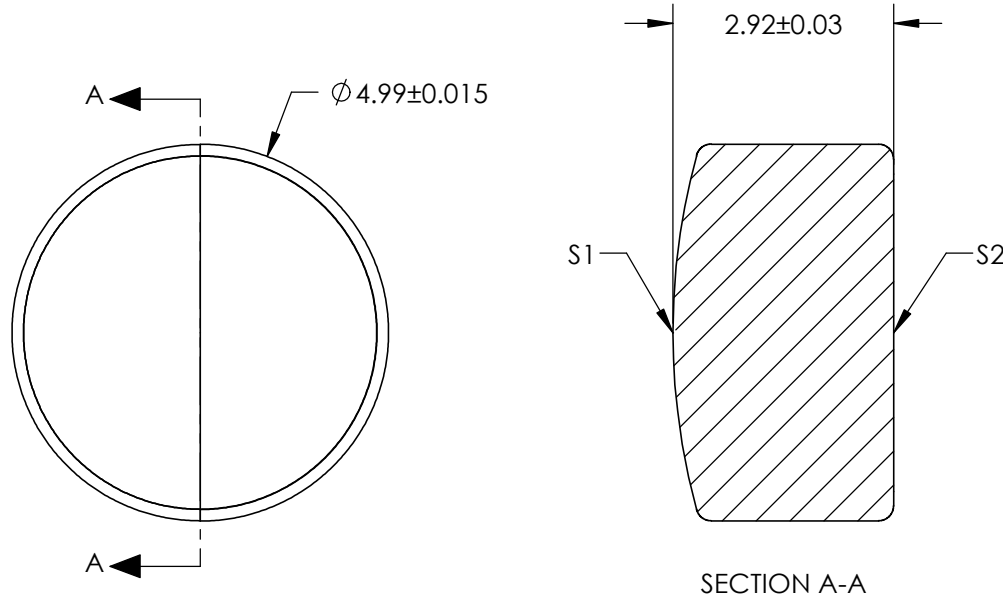


NOTES:

1. SUBSTRATE:  
D-ZK3
2. NUMERICAL APERTURE: 0.15
3. COATING  
S1 & S2: R(ABS)<1.0% @ 600 - 1050nm
4. FOCAL LENGTH TOLERANCE: ±1%
5. TRANSMITTED WAVEFRONT ERROR ( $\lambda$ , RMS @ 632.8NM): <0.076
6. DESIGN WAVELENGTH: 670nm



**FOR INFORMATION ONLY:  
DO NOT MANUFACTURE  
PARTS TO THIS DRAWING**

SPECIFICATIONS SUBJECT TO CHANGE WITHOUT NOTICE  
DIMENSIONS ARE FOR REFERENCE ONLY

	S1	S2	EFL	15.04	<b>Edmund Optics®</b>	LightPath 354120   4.99mm Dia., 0.15 NA, BBAR (350-700nm), Molded Aspheric Lens	
			WD	13.20			
SHAPE	CONVEX	PLANO	THIRD ANGLE PROJECTION		TITLE		
SURFACE QUALITY	40-20	40-20	ALL DIMS IN	mm	DWG NO	16690	SHEET 1 OF 1
CLEAR APERTURE	∅ 4.50	∅ 4.20					
BEVEL	PROTECTED AS NEEDED	PROTECTED AS NEEDED					