

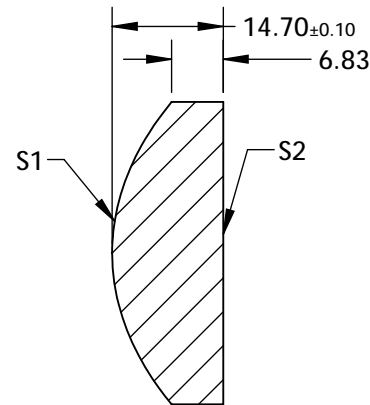
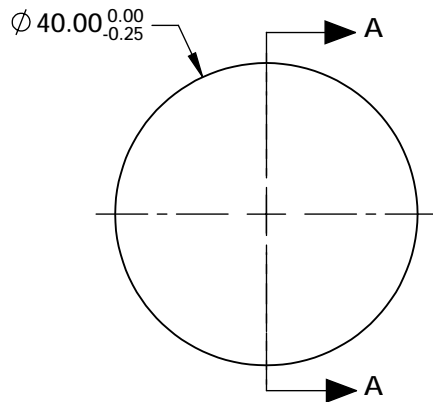
NOTES:

1. SUBSTRATE: N-SF5
2. COATING (APPLY ACROSS CLEAR APERTURE)
S1: NONE
S2: NONE
3. EDGES: FINE GROUND
4. CENTERING: <3 ARCMIN
5. ASPHERE FIGURE ERROR: 0.25 μm RMS

**FOR INFORMATION ONLY:
DO NOT MANUFACTURE
PARTS TO THIS DRAWING**

6. ASPHERIC SURFACE DESCRIBED BY (REF. COEFFICIENT TABLE)

$$Z_{ASPH}(Y) = \frac{(1/RADIUS)^2 * Y^2}{1 + \sqrt{1 - (1+k) * (1/RADIUS)^2 * Y^2}} + D * Y^2 + E * Y^4 + F * Y^6 + G * Y^8 + H * Y^{10} + J * Y^{12} + L * Y^{14}$$



SECTION A-A

COEFFICIENT TABLE	
COEFFICIENT	S1
SEMI-DIAMETER	1.500000E+01
(1/RADIUS)	3.716091E-02
k	-7.633170E-01
D	0.000000E+00
E	1.130400E-06
F	2.028051E-10
G	-9.363066E-13
H	1.944793E-15
J	-3.345788E-18
L	2.852466E-21

SPECIFICATIONS SUBJECT TO CHANGE WITHOUT NOTICE DIMENSIONS ARE FOR REFERENCE ONLY

	S1	S2	EFL @ 587.6nm	40.00	Edmund Optics®	TITLE 40mm DIA., 0.50 NUMERICAL APERTURE, UNCOATED, PRECISION ASPHERIC LENS
SHAPE	CONVEX	PLANO	BFL @ 587.6nm	31.21		
RADIUS	26.910	INFINITY				
SURFACE QUALITY	40-20	40-20	THIRD ANGLE PROJECTION		DWG NO	37437
CLEAR APERTURE	Ø39.00	Ø39.00	ALL DIMS IN	mm		SHEET 1 OF 1
BEVEL MAX	PROTECTIVE AS NEEDED	PROTECTIVE AS NEEDED				