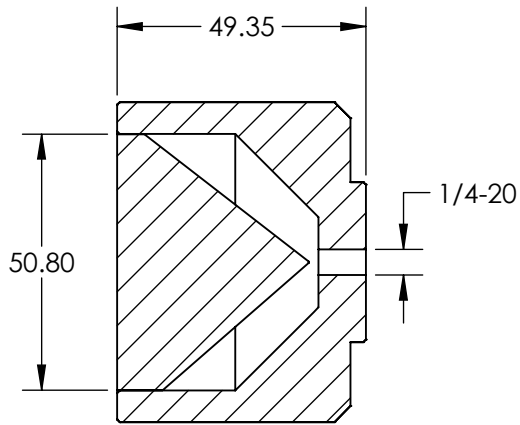
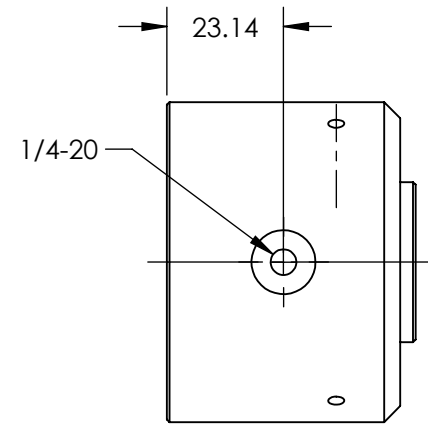
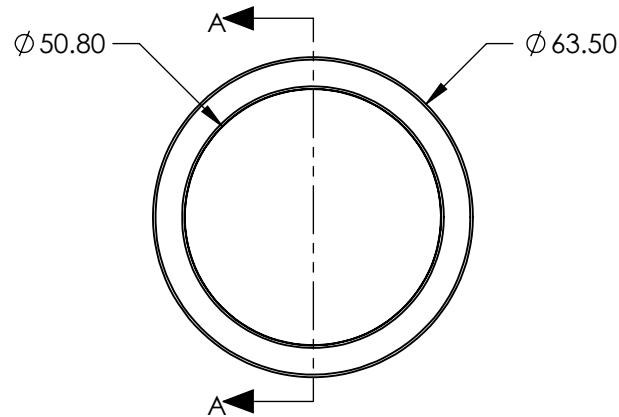


NOTES:

1. MATERIAL:
HOUSING: BLACK ANODIZED ALUMINUM
CORNER CUBE: FUSED SILICA
2. COATING SPECIFICATION (APPLY ACROSS CLEAR APERTURE)
ENTRANCE: UNCOATED
REFLECTIVE SURFACES: R(AVG) > 85% @ 400 - 700nm WITH BLACK OVERPAINT
3. RoHS: COMPLIANT



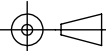
SECTION A-A



SPECIFICATIONS SUBJECT TO CHANGE WITHOUT NOTICE
DIMENSIONS ARE FOR REFERENCE ONLY

**FOR INFORMATION ONLY:
DO NOT MANUFACTURE
PARTS TO THIS DRAWING**

EO® Edmund Optics®

THIRD ANGLE PROJECTION 		TITLE	50.8mm PROTECTED ALUMINUM COATED, MOUNTED FUSED SILICA CORNER CUBE RETROREFLECTOR	
ALL DIMS IN	mm	DWG NO	15822	SHEET 1 OF 1