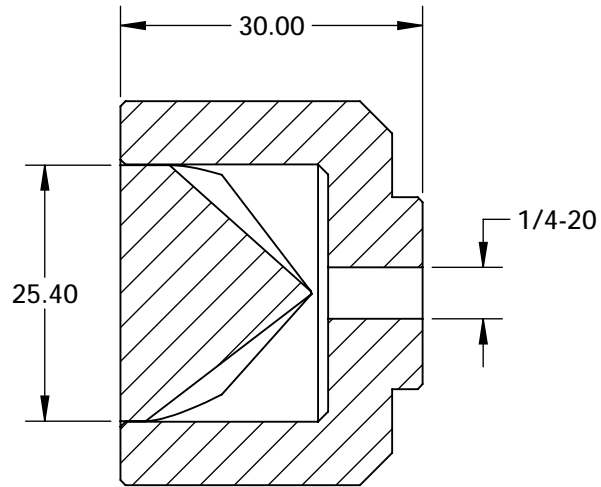
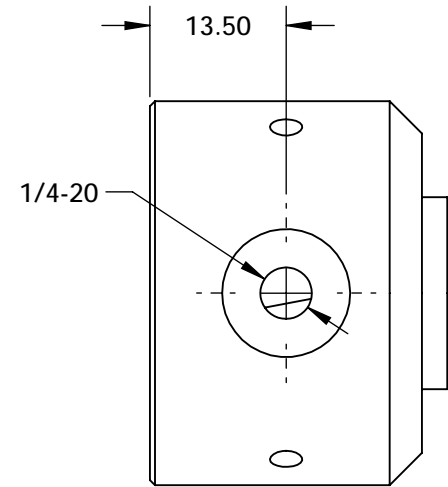
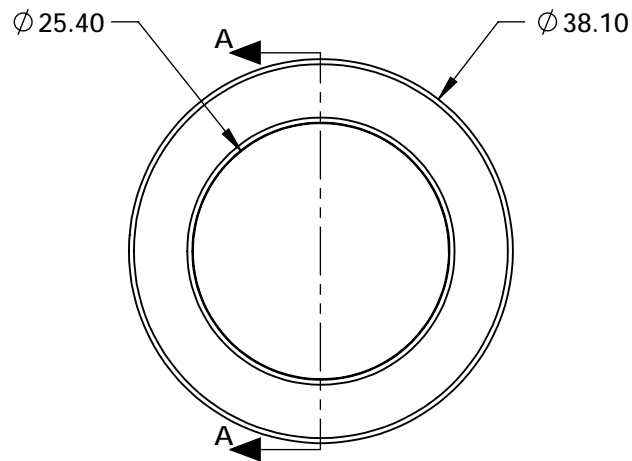


NOTES:

1. MATERIAL:
HOUSING: BLACK ANODIZED ALUMINUM
CORNER CUBE: FUSED SILICA
2. COATING SPECIFICATION (APPLY ACROSS CLEAR APERTURE)
ENTRANCE: UNCOATED
REFLECTIVE SURFACES: R(AVG)>85% FROM 400-700nm, @ 45° AOI
3. RoHS: COMPLIANT



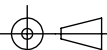
SECTION A-A



SPECIFICATIONS SUBJECT TO CHANGE WITHOUT NOTICE
DIMENSIONS ARE FOR REFERENCE ONLY

EO® Edmund Optics®

**FOR INFORMATION ONLY:
DO NOT MANUFACTURE
PARTS TO THIS DRAWING**

THIRD ANGLE PROJECTION 		TITLE	25.4mm PROTECTED ALUMINUM COATED, MOUNTED FUSED SILICA CORNER CUBE RETROREFLECTOR	
ALL DIMS IN	mm	DWG NO	15820	SHEET 1 OF 1