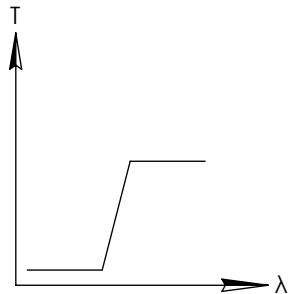
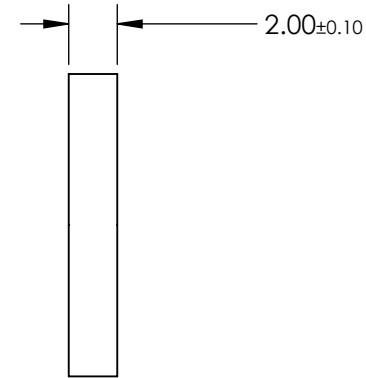
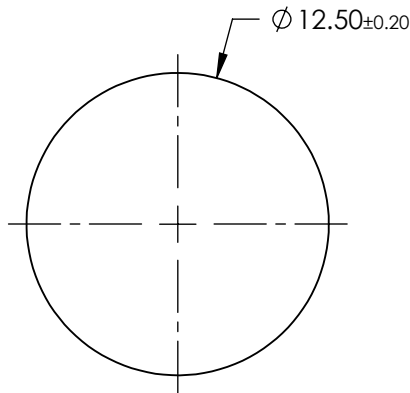
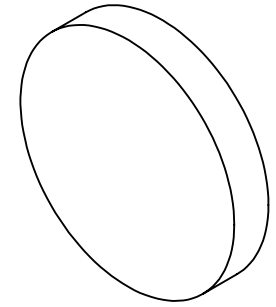


NOTES:

1. SUBSTRATE: SCHOTT RG695
2. SURFACE S2 TO BE PARALLEL TO SURFACE S1 TO WITHIN 3 ARCMIN

**FOR INFORMATION ONLY:  
DO NOT MANUFACTURE  
PARTS TO THIS DRAWING**



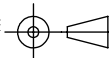
LONGPASS FILTER

SPECIFICATIONS SUBJECT TO CHANGE WITHOUT NOTICE  
DIMENSIONS ARE FOR REFERENCE ONLY

REV. A	VALUE
SHAPE	PLANO
SPECTRAL TRANSMITTANCE $t_p(\%)$	96
PASSBAND LIMIT $\lambda_p1$ (nm)	780
CUT-OFF POSITION $\lambda_c$ (nm)	695±6
STOPBAND LIMIT $\lambda_s$ (nm)	610
WAVELENGTH	VIS
BEVEL	PROTECTIVE AS NEEDED

**EO**® Edmund Optics®

THIRD ANGLE  
PROJECTION



TITLE

SCHOTT RG695, 12.5mm DIA., 2mm THICK,  
COLORED GLASS LONGPASS FILTER

ALL DIMS IN

mm

DWG NO

16450

SHEET  
1 OF 1