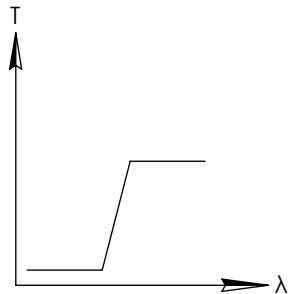
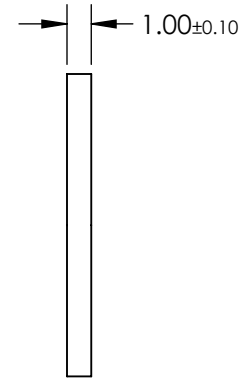
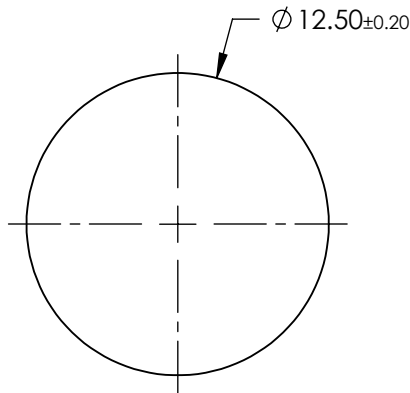
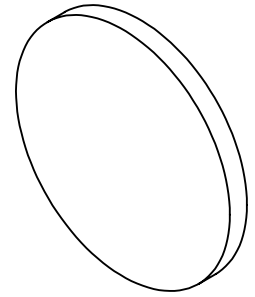


NOTES:

1. SUBSTRATE: SCHOTT RG830
2. SURFACE S2 TO BE PARALLEL TO SURFACE S1 TO WITHIN 3 ARCMIN

**FOR INFORMATION ONLY:
DO NOT MANUFACTURE
PARTS TO THIS DRAWING**



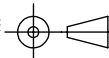
LONGPASS FILTER

SPECIFICATIONS SUBJECT TO CHANGE WITHOUT NOTICE
DIMENSIONS ARE FOR REFERENCE ONLY

REV. A	VALUE
SHAPE	PLANO
SPECTRAL TRANSMITTANCE $t_p(\%)$	97
PASSBAND LIMIT λ_p1 (nm)	950
CUT-OFF POSITION λ_c (nm)	830±9
STOPBAND LIMIT λ_s (nm)	670
WAVELENGTH	IR
BEVEL	PROTECTIVE AS NEEDED

EO® Edmund Optics®

THIRD ANGLE
PROJECTION



TITLE

SCHOTT RG830, 12.5mm DIA., 1mm THICK,
COLORED GLASS LONGPASS FILTER

ALL DIMS IN

mm

DWG NO

16427

SHEET
1 OF 1