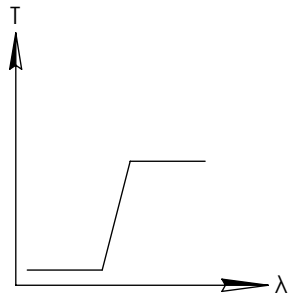
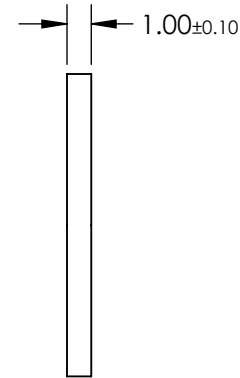
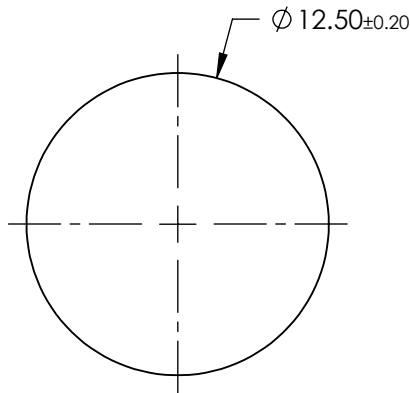
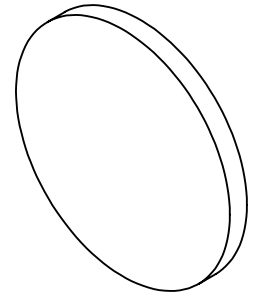


NOTES:

1. SUBSTRATE: SCHOTT OG550
2. SURFACE S2 TO BE PARALLEL TO SURFACE S1 TO WITHIN 3 ARCMIN

**FOR INFORMATION ONLY:
DO NOT MANUFACTURE
PARTS TO THIS DRAWING**



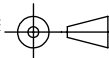
LONGPASS FILTER

SPECIFICATIONS SUBJECT TO CHANGE WITHOUT NOTICE
DIMENSIONS ARE FOR REFERENCE ONLY

REV. A	VALUE
SHAPE	PLANO
SPECTRAL TRANSMITTANCE $t_p(\%)$	93
PASSBAND LIMIT λ_{p1} (nm)	620
CUT-OFF POSITION λ_c (nm)	550±6
STOPBAND LIMIT λ_s (nm)	480
WAVELENGTH	VIS
BEVEL	PROTECTIVE AS NEEDED



THIRD ANGLE
PROJECTION



TITLE

SCHOTT OG550, 12.5mm DIA., 1mm THICK,
COLORED GLASS LONGPASS FILTER

ALL DIMS IN

mm

DWG NO

16416

SHEET
1 OF 1