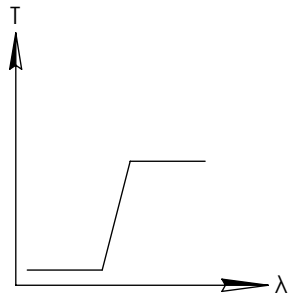
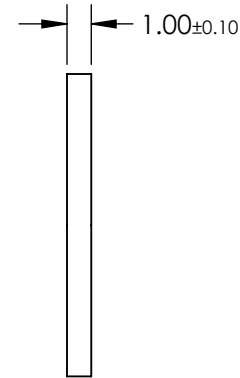
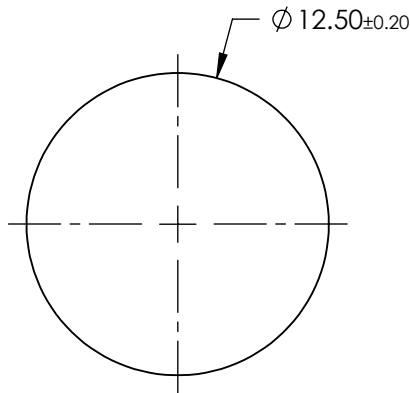
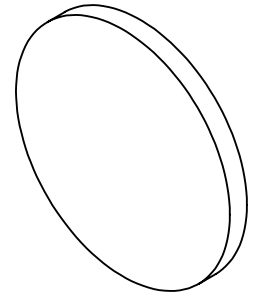


NOTES:

1. SUBSTRATE: SCHOTT GG495
2. SURFACE S2 TO BE PARALLEL TO SURFACE S1 TO WITHIN 3 ARCMIN

**FOR INFORMATION ONLY:
DO NOT MANUFACTURE
PARTS TO THIS DRAWING**



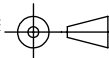
LONGPASS FILTER

SPECIFICATIONS SUBJECT TO CHANGE WITHOUT NOTICE
DIMENSIONS ARE FOR REFERENCE ONLY

REV. A	VALUE
SHAPE	PLANO
SPECTRAL TRANSMITTANCE $t_p(\%)$	92
PASSBAND LIMIT λ_p1 (nm)	560
CUT-OFF POSITION λ_c (nm)	495±6
STOPBAND LIMIT λ_s (nm)	430
WAVELENGTH	VIS
BEVEL	PROTECTIVE AS NEEDED



THIRD ANGLE
PROJECTION



TITLE

SCHOTT GG495, 12.5mm DIA., 1mm THICK,
COLORED GLASS LONGPASS FILTER

ALL DIMS IN

mm

DWG NO

16413

SHEET
1 OF 1