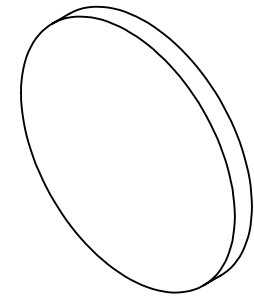


NOTES:

1. SUBSTRATE:
HOYA GLASS: ND-0.3
2. SURFACE S2 TO BE PARALLEL WITH SURFACE S1 TO WITHIN <0.02 mm

FOR INFORMATION ONLY:
DO NOT MANUFACTURE
PARTS TO THIS DRAWING



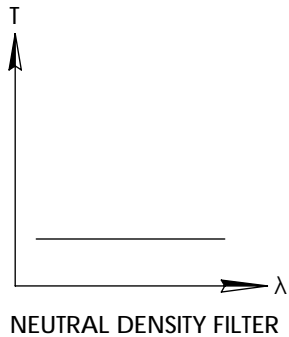
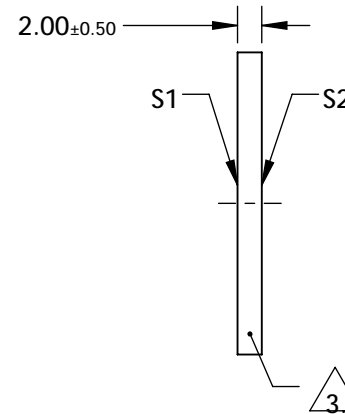
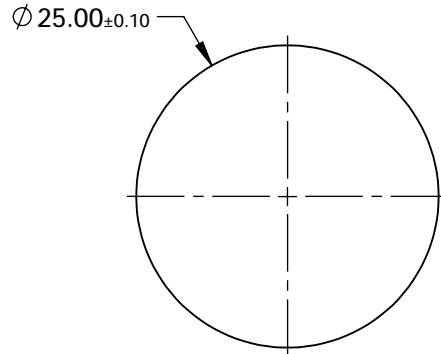
3. FINE GRIND SURFACE

4. COATING SPECIFICATION:
S1 & S2:R(ABS) $\leq 1.5\%$ @ 750 - 800nm
R(ABS) $\leq 1.0\%$ @ 800 - 1550nm
R(AVG) $\leq 0.7\%$ @ 750 - 1550nm

5. OPTICAL DENSITY: 2 +/-0.3 @ 400-700nm

6. TRANSMISSION (%): 1.0% AVERAGE FROM 400-700nm

7. ROHS COMPLIANT



SPECIFICATIONS SUBJECT TO CHANGE WITHOUT NOTICE
DIMENSIONS ARE FOR REFERENCE ONLY

EO® Edmund Optics®

	S1	S2	THIRD ANGLE PROJECTION		TITLE	2.0 OD, 25mm DIA., NIR II COATED, ABSORPTIVE ND FILTER	
SHAPE	PLANO	PLANO	ALL DIMS IN	mm	DWG NO	13247	SHEET 1 OF 1
SURFACE QUALITY	80-50	80-50					
BEVEL	PROTECTIVE AS NEEDED	PROTECTIVE AS NEEDED					