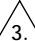
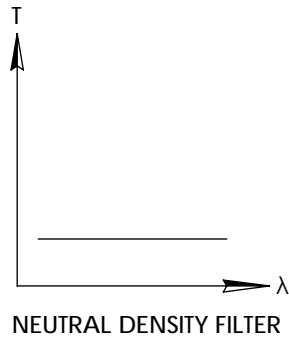
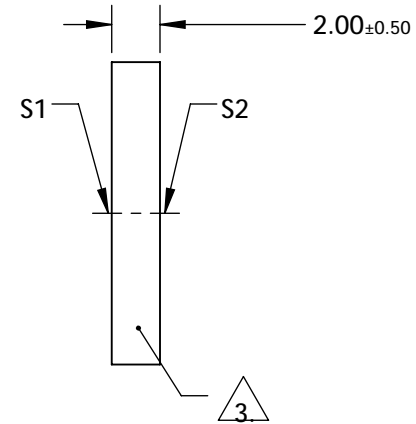
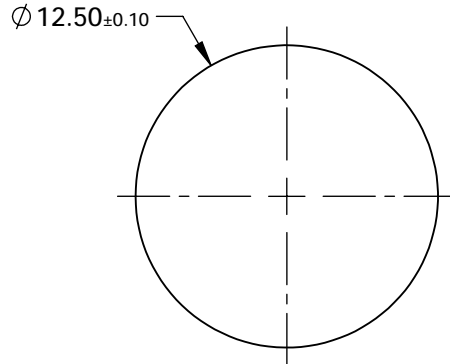
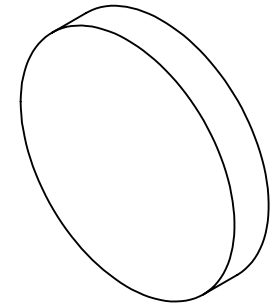


NOTES:

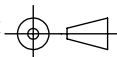
1. SUBSTRATE:  
HOYA GLASS: ND-25
2. SURFACE S2 TO BE PARALLEL WITH SURFACE S1 TO WITHIN <0.02 mm
3.  FINE GRIND SURFACE
4. COATING SPECIFICATION:  
S1 & S2:R(AVG) ≤0.5% @ 600 - 1050nm
5. OPTICAL DENSITY: 0.5 +/-0.05 @400-700nm
6. TRANSMISSION (%): 32.0% AVERAGE FROM 400-700nm
7. ROHS COMPLIANT

FOR INFORMATION ONLY:  
DO NOT MANUFACTURE  
PARTS TO THIS DRAWING



SPECIFICATIONS SUBJECT TO CHANGE WITHOUT NOTICE  
DIMENSIONS ARE FOR REFERENCE ONLY

 **Edmund Optics®**

|                 |                      |                      |  |    |        |   |              |
|-----------------|----------------------|----------------------|--|----|--------|---|--------------|
|                 | S1                   | S2                   | THIRD ANGLE PROJECTION  |    | TITLE  | 0.5 OD, 12.5mm DIA., NIR I COATED, ABSORPTIVE ND FILTER |              |
| SHAPE           | PLANO                | PLANO                |  |    | DWG NO | 13151   | SHEET 1 OF 1 |
| SURFACE QUALITY | 80-50                | 80-50                | ALL DIMS IN  | mm |        |   |              |
| BEVEL           | PROTECTIVE AS NEEDED | PROTECTIVE AS NEEDED |  |    |        |   |              |