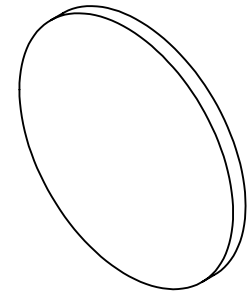


NOTES:

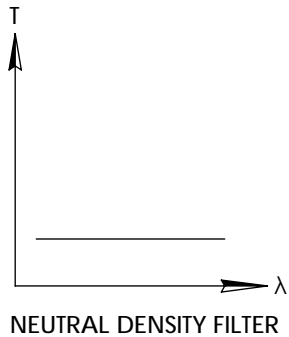
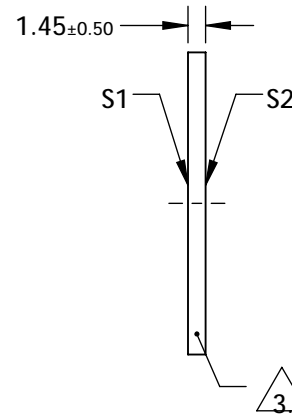
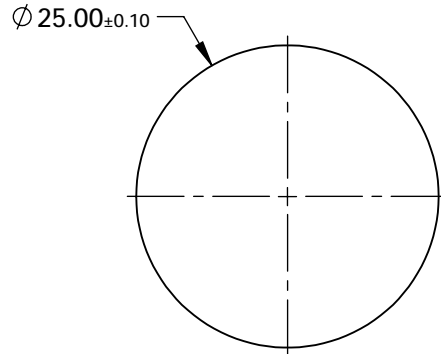
1. SUBSTRATE:  
HOYA GLASS: ND-0.3
2. SURFACE S2 TO BE PARALLEL WITH SURFACE S1 TO WITHIN <0.02 mm

FOR INFORMATION ONLY:  
DO NOT MANUFACTURE  
PARTS TO THIS DRAWING



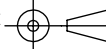
 FINE GRIND SURFACE

4. COATING SPECIFICATION:  
S1 & S2:R(AVG)  $\leq 0.4\%$  @ 425 - 675nm
5. OPTICAL DENSITY: 1.3 +/-0.1 @400-700nm
6. TRANSMISSION (%): 5.0% AVERAGE FROM 400-700nm
7. ROHS COMPLIANT



SPECIFICATIONS SUBJECT TO CHANGE WITHOUT NOTICE  
DIMENSIONS ARE FOR REFERENCE ONLY

 **Edmund Optics®**

	S1	S2	THIRD ANGLE PROJECTION 		TITLE	1.3 OD, 25mm DIA., VIS 0° COATED, ABSORPTIVE ND FILTER	
SHAPE	PLANO	PLANO			DWG NO	13105	SHEET 1 OF 1
SURFACE QUALITY	80-50	80-50	ALL DIMS IN	mm			
BEVEL	PROTECTIVE AS NEEDED	PROTECTIVE AS NEEDED					