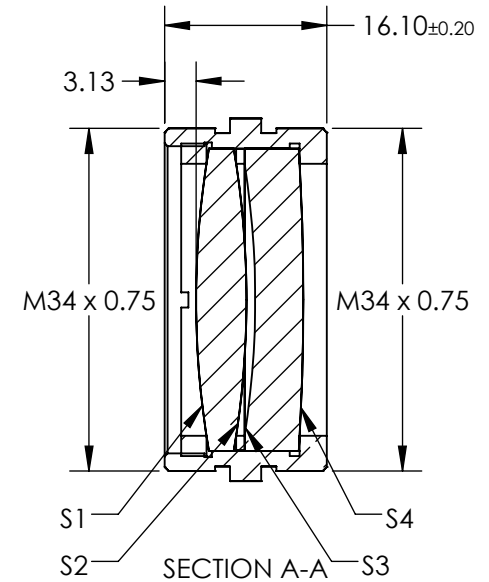
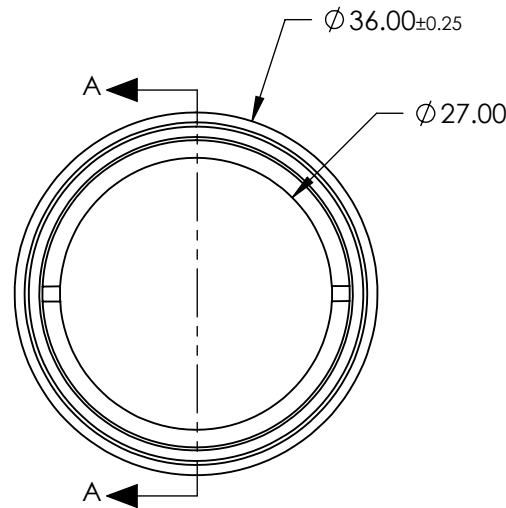


NOTES:

1. SUBSTRATE:  
ELEMENT A: N-SK5  
ELEMENT B: N-SF57
2. CONSTRUCTION: ANODIZED ALUMINUM HOUSING
3. CENTERING TOLERANCE (AT 587.6nm):  
BEAM DEVIATION HALF ANGLE: <0.5 ARCMIN
4. COATING (APPLY ACROSS COATING APERTURE)  
S1, S2, S3 & S4: DUAL V-COAT (632.8nm & 1064nm)  
R (ABS) < 0.5% @1030nm to 1090nm  
R (ABS) < 1% @ 632.8nm  
  
TYPICAL DAMAGE THRESHOLD,  
PULSED: 10 J/cm<sup>2</sup> @ 10ns, 20 Hz, 1064nm
5. POWER, IRREGULARITY, AND SURFACE QUALITY SPECIFICATIONS APPLY ACROSS CLEAR APERTURE
6. DESIGN WAVELENGTH: 632.8nm, 1064nm
7. FOCAL LENGTH (EFL): 150.00mm
8. ROHS COMPLIANT



**FOR INFORMATION ONLY:  
DO NOT MANUFACTURE  
PARTS TO THIS DRAWING**

	ELEMENT A		ELEMENT B	
	S1	S2	S3	S4
SHAPE	CONVEX	CONVEX	CONCAVE	CONVEX
RADIUS	89.322	89.322	86.566	264.045
SURFACE QUALITY	20-10	20-10	20-10	20-10
MIN CLEAR APERTURE	Ø27.00	Ø27.00	Ø27.00	Ø27.00
MIN COATING APERTURE	Ø27.00	Ø27.00	Ø27.00	Ø27.00
POWER AT 632.8nm	3.00 WAVES	3.00 WAVES	3.00 WAVES	3.00 WAVES
IRREGULARITY AT 632.8nm	0.50 WAVES	0.50 WAVES	0.50 WAVES	0.50 WAVES

SPECIFICATIONS SUBJECT TO CHANGE WITHOUT NOTICE  
DIMENSIONS ARE FOR REFERENCE ONLY

**Edmund Optics®**

THIRD ANGLE PROJECTION

ALL DIMS IN

mm

TITLE

150mm EFL, Nd:YAG AIR-SPACED FOCUSING  
DOUBLET

DWG NO

12159

SHEET  
1 OF 1