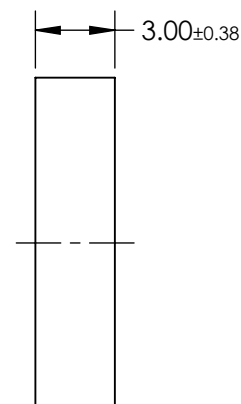
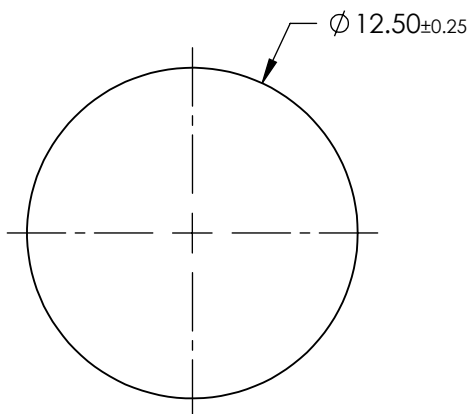


NOTES:

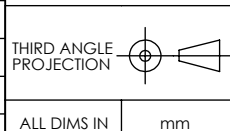
- SUBSTRATE: ISUZU ISK153
 DENSITY: 2.59g/cm³
 REFLECTION FACTOR: 0.92
 KNOOP HARDNESS: 481kg/mm²
 REFRACTIVE INDEX: 1.522nm
- SURFACE S2 TO BE PARALLEL TO SURFACE S1 TO WITHIN 3 ARCMIN

**FOR INFORMATION ONLY:
DO NOT MANUFACTURE
PARTS TO THIS DRAWING**



SPECIFICATIONS SUBJECT TO CHANGE WITHOUT NOTICE
DIMENSIONS ARE FOR REFERENCE ONLY

	S1
SHAPE	PLANO
FUNCTION	HEAT ABSORBING
SURFACE QUALITY	60-40
CLEAR APERTURE	Ø11.25
BEVEL MAX FACE	PROTECTIVE AS NEEDED



EO® **Edmund Optics**®

TITLE	ISUZU ISK153, 12.5 Dia., HEAT ABSORBING COLORED GLASS FILTER		
DWG NO	15698	SHEET	1 OF 1