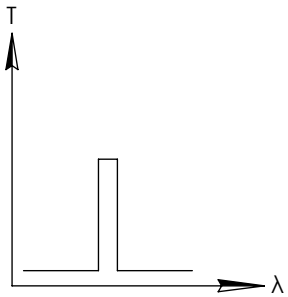
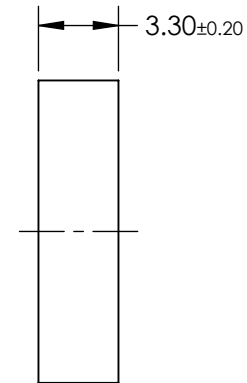
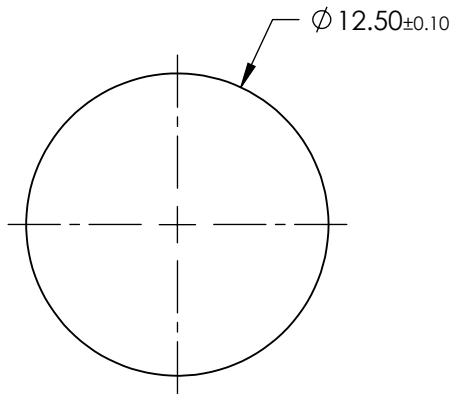
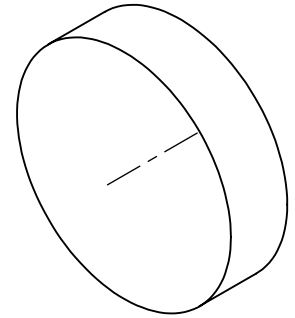


**FOR INFORMATION ONLY:
DO NOT MANUFACTURE
PARTS TO THIS DRAWING**

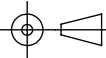


BANDPASS FILTER

	VALUE
CENTER WAVELENGTH (CWL)	950 ± 5nm
FULL WIDTH HALF MAX (FWHM)	50.0 ± 5nm
MINIMUM TRANSMISSION	≥90%
BLOCKING	200 - 1200nm
CLEAR APERTURE (mm)	Ø11.25
SURFACE QUALITY	80-50
COATING TYPE	HARD COATED
DURABILITY	MIL-C-48497A, SECTION 3.4.1
ENVIRONMENTAL	MIL-STD-810F, SECTION 507.4

SPECIFICATIONS SUBJECT TO CHANGE WITHOUT NOTICE
DIMENSIONS ARE FOR REFERENCE ONLY



THIRD ANGLE PROJECTION 

ALL DIMS IN mm

TITLE	950nm CWL, 12.5mm DIA., HARD COATED OD 4.0 50nm UNMOUNTED BANDPASS FILTER
DWG NO	15162
SHEET 1 OF 1	