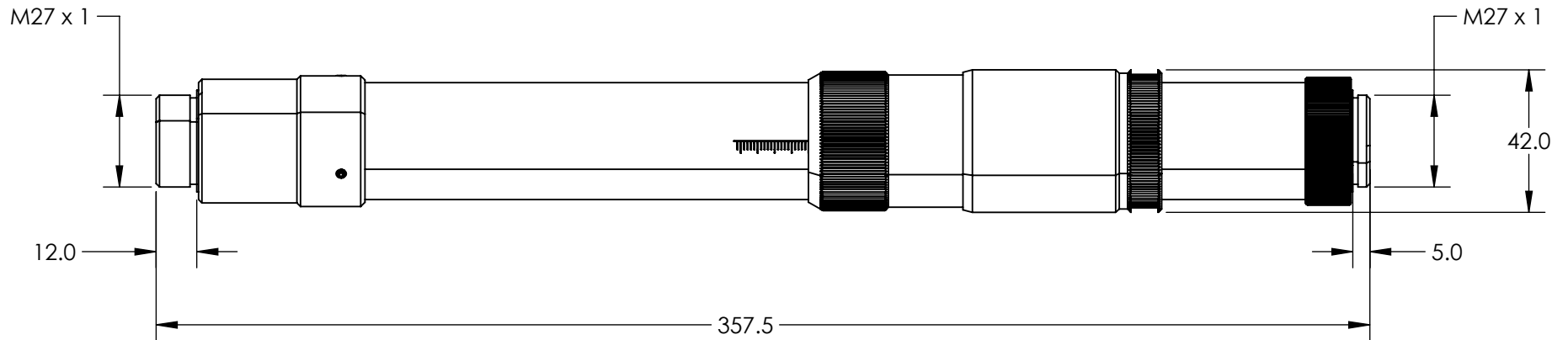
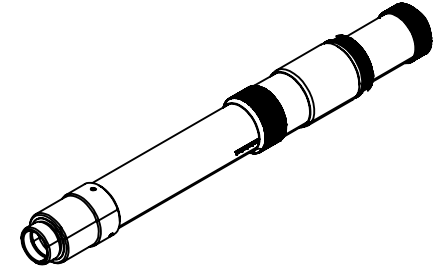


NOTES:

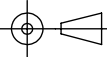
- 1. RoHS: NOT COMPLIANT

**FOR INFORMATION ONLY:
DO NOT MANUFACTURE
PARTS TO THIS DRAWING**



SPECIFICATIONS SUBJECT TO CHANGE WITHOUT NOTICE
DIMENSIONS ARE FOR REFERENCE ONLY



	VALUE			TITLE	355nm Flat Top Beam Shaper πShaper 12_12_355_HP	
DESIGN WAVELENGTH DWL (nm)	355	THIRD ANGLE PROJECTION 				
INPUT DIAMETER (mm)	12.0 - 12.1 (1/e2)	ALL DIMS IN	mm	DWG NO	15497	SHEET 1 OF 1
WAVELENGTH RANGE (nm)	330 - 380					