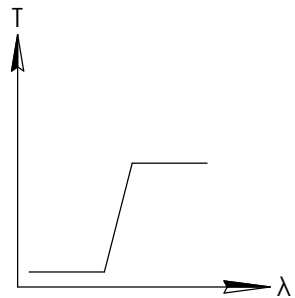
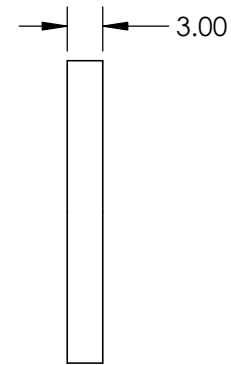
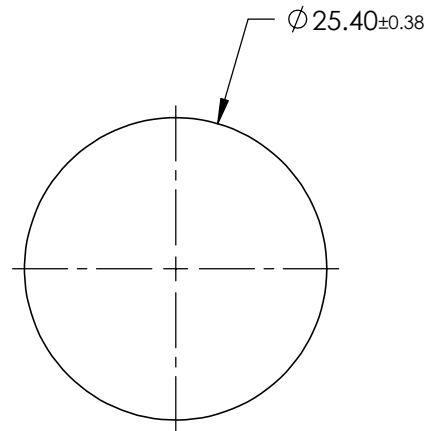
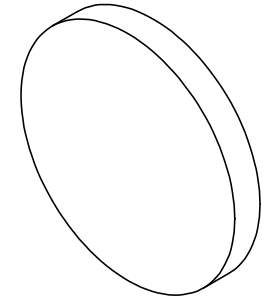


**FOR INFORMATION ONLY:  
DO NOT MANUFACTURE  
PARTS TO THIS DRAWING**



LONGPASS FILTER

SPECIFICATIONS SUBJECT TO CHANGE WITHOUT NOTICE  
DIMENSIONS ARE FOR REFERENCE ONLY

REV. A	VALUE
SHAPE	PLANO
SPECTRAL TRANSMITTANCE $\pm_{ip}(\%)$	92
PASSBAND LIMIT $\lambda_{p1}$ (nm)	560
CUT-OFF POSITION $\lambda_c$ (nm)	495 $\pm$ 6
STOPBAND LIMIT $\lambda_s$ (nm)	430
WAVELENGTH	VIS
BEVEL	PROTECTIVE AS NEEDED



ALL DIMS IN

mm

TITLE

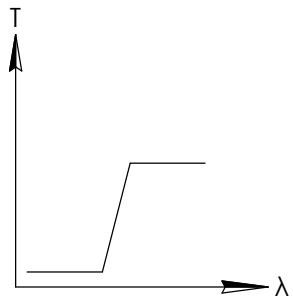
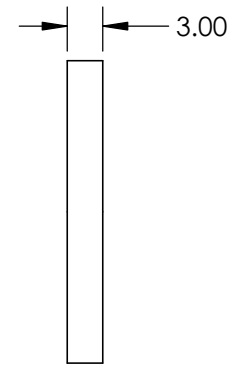
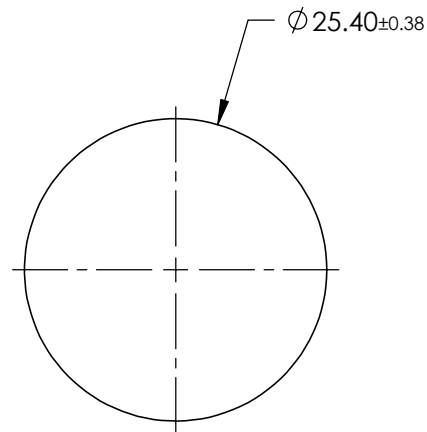
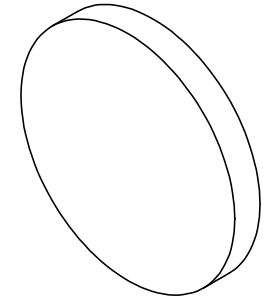
$\varnothing 25.4\text{mm}$ , GG-495 LONGPASS FILTER

DWG NO

32753

SHEET  
1 OF 1

**FOR INFORMATION ONLY:  
DO NOT MANUFACTURE  
PARTS TO THIS DRAWING**



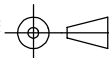
LONGPASS FILTER

SPECIFICATIONS SUBJECT TO CHANGE WITHOUT NOTICE  
DIMENSIONS ARE FOR REFERENCE ONLY

REV. A	VALUE
SHAPE	PLANO
SPECTRAL TRANSMITTANCE $\pm t_{ip}(\%)$	93
PASSBAND LIMIT $\lambda_{p1}$ (nm)	620
CUT-OFF POSITION $\lambda_c$ (nm)	550 $\pm$ 6
STOPBAND LIMIT $\lambda_s$ (nm)	480
WAVELENGTH	VIS
BEVEL	PROTECTIVE AS NEEDED

**EO**® Edmund Optics®

THIRD ANGLE  
PROJECTION



TITLE

$\varnothing 25.4\text{mm}$ , OG-550 LONGPASS FILTER

ALL DIMS IN

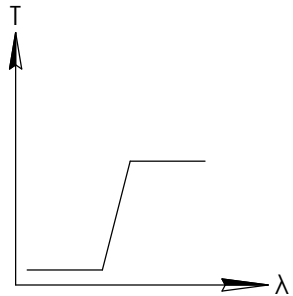
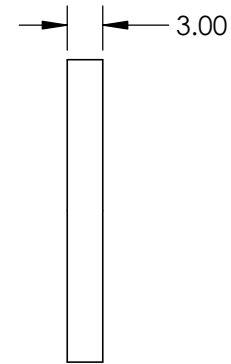
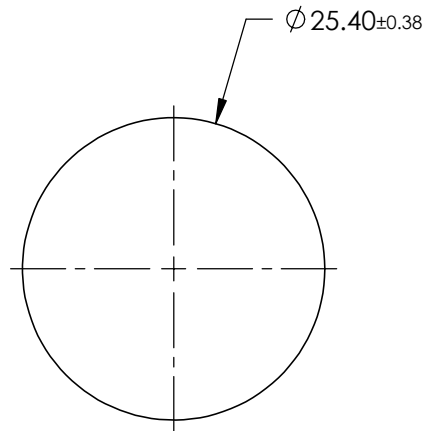
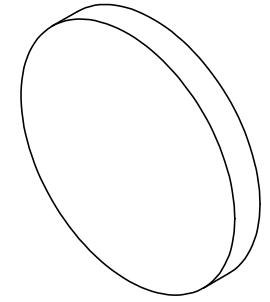
mm

DWG NO

32754

SHEET  
1 OF 1

**FOR INFORMATION ONLY:  
DO NOT MANUFACTURE  
PARTS TO THIS DRAWING**



LONGPASS FILTER

SPECIFICATIONS SUBJECT TO CHANGE WITHOUT NOTICE  
DIMENSIONS ARE FOR REFERENCE ONLY

REV. A	VALUE
SHAPE	PLANO
SPECTRAL TRANSMITTANCE $\pm_{ip}(\%)$	93
PASSBAND LIMIT $\lambda_{p1}$ (nm)	580
CUT-OFF POSITION $\lambda_c$ (nm)	515 $\pm$ 6
STOPBAND LIMIT $\lambda_s$ (nm)	440
WAVELENGTH	VIS
BEVEL	PROTECTIVE AS NEEDED



ALL DIMS IN

mm

TITLE

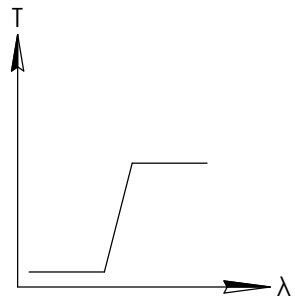
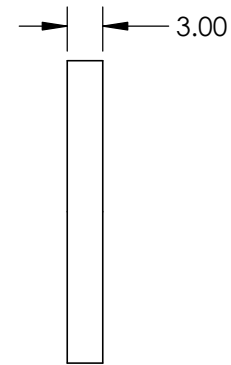
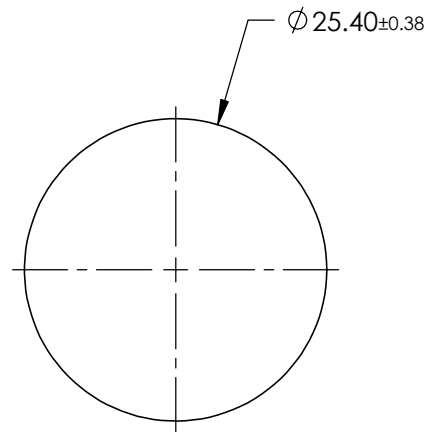
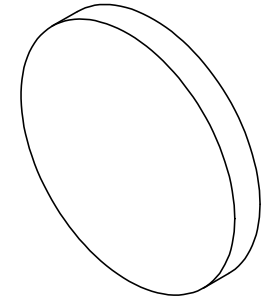
$\varnothing 25.4\text{mm}$ , OG-515 LONGPASS FILTER

DWG NO

45069

SHEET  
1 OF 1

**FOR INFORMATION ONLY:  
DO NOT MANUFACTURE  
PARTS TO THIS DRAWING**



LONGPASS FILTER

SPECIFICATIONS SUBJECT TO CHANGE WITHOUT NOTICE  
DIMENSIONS ARE FOR REFERENCE ONLY

REV. A	VALUE
SHAPE	PLANO
SPECTRAL TRANSMITTANCE $t_{ip}(\%)$	92
PASSBAND LIMIT $\lambda_{p1}$ (nm)	550
CUT-OFF POSITION $\lambda_c$ (nm)	475±6
STOPBAND LIMIT $\lambda_s$ (nm)	410
WAVELENGTH	VIS
BEVEL	PROTECTIVE AS NEEDED



ALL DIMS IN

mm

TITLE

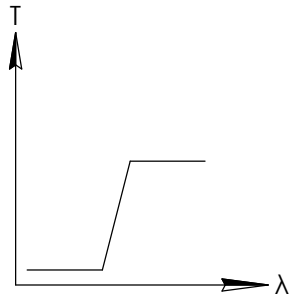
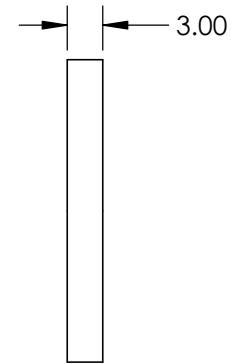
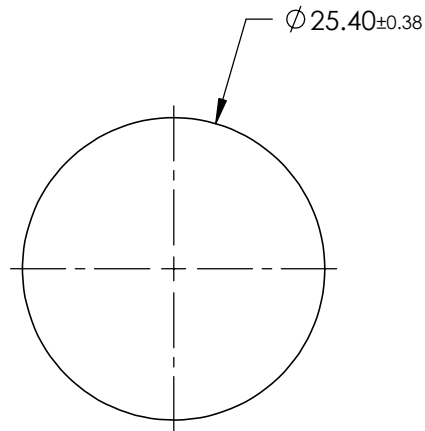
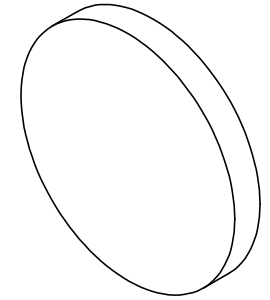
Ø25.4mm, GG-475 LONGPASS FILTER

DWG NO

46057

SHEET  
1 OF 1

**FOR INFORMATION ONLY:  
DO NOT MANUFACTURE  
PARTS TO THIS DRAWING**



LONGPASS FILTER

SPECIFICATIONS SUBJECT TO CHANGE WITHOUT NOTICE  
DIMENSIONS ARE FOR REFERENCE ONLY

REV. A	VALUE
SHAPE	PLANO
SPECTRAL TRANSMITTANCE $\pm_{ip}(\%)$	93
PASSBAND LIMIT $\lambda_{p1}$ (nm)	600
CUT-OFF POSITION $\lambda_c$ (nm)	530 $\pm$ 6
STOPBAND LIMIT $\lambda_s$ (nm)	460
WAVELENGTH	VIS
BEVEL	PROTECTIVE AS NEEDED



ALL DIMS IN

mm

TITLE

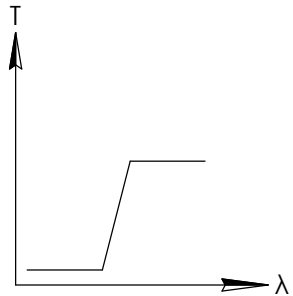
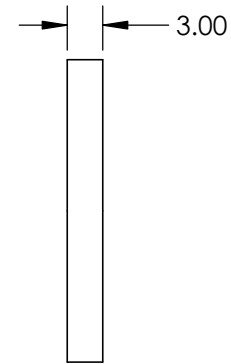
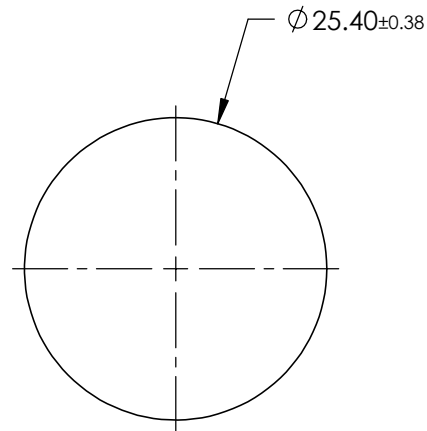
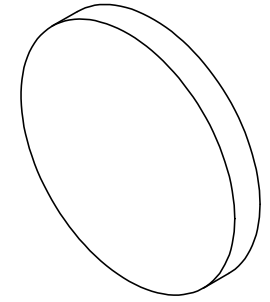
$\varnothing 25.4\text{mm}$ , OG-530 LONGPASS FILTER

DWG NO

46059

SHEET  
1 OF 1

**FOR INFORMATION ONLY:  
DO NOT MANUFACTURE  
PARTS TO THIS DRAWING**



LONGPASS FILTER

SPECIFICATIONS SUBJECT TO CHANGE WITHOUT NOTICE  
DIMENSIONS ARE FOR REFERENCE ONLY

REV. A	VALUE
SHAPE	PLANO
SPECTRAL TRANSMITTANCE $\pm_{ip}(\%)$	93
PASSBAND LIMIT $\lambda_{p1}$ (nm)	640
CUT-OFF POSITION $\lambda_c$ (nm)	570 $\pm$ 6
STOPBAND LIMIT $\lambda_s$ (nm)	500
WAVELENGTH	VIS
BEVEL	PROTECTIVE AS NEEDED



ALL DIMS IN

mm

TITLE

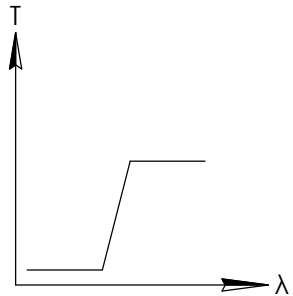
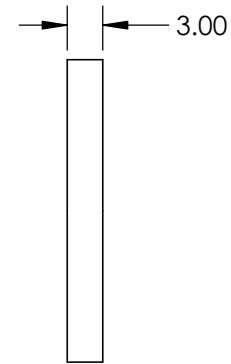
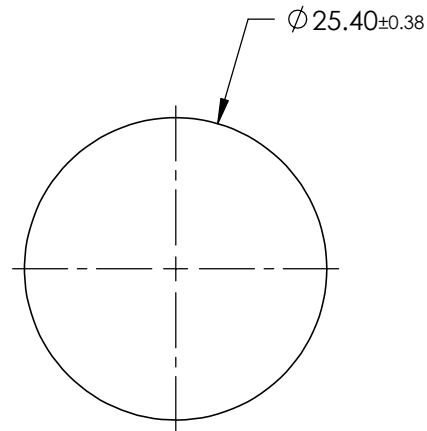
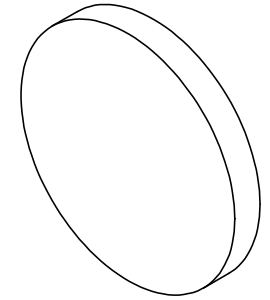
$\varnothing 25.4\text{mm}$ , OG-570 LONGPASS FILTER

DWG NO

46061

SHEET  
1 OF 1

**FOR INFORMATION ONLY:  
DO NOT MANUFACTURE  
PARTS TO THIS DRAWING**



LONGPASS FILTER

SPECIFICATIONS SUBJECT TO CHANGE WITHOUT NOTICE  
DIMENSIONS ARE FOR REFERENCE ONLY

REV. A	VALUE
SHAPE	PLANO
SPECTRAL TRANSMITTANCE $\pm_{ip}(\%)$	93
PASSBAND LIMIT $\lambda_{p1}$ (nm)	660
CUT-OFF POSITION $\lambda_c$ (nm)	590 $\pm$ 6
STOPBAND LIMIT $\lambda_s$ (nm)	510
WAVELENGTH	VIS
BEVEL	PROTECTIVE AS NEEDED



ALL DIMS IN

mm

TITLE

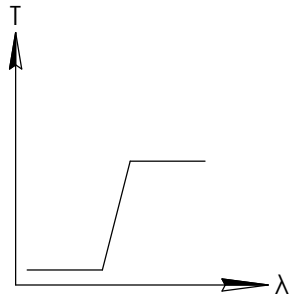
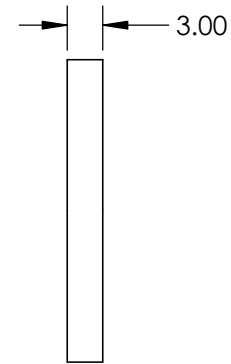
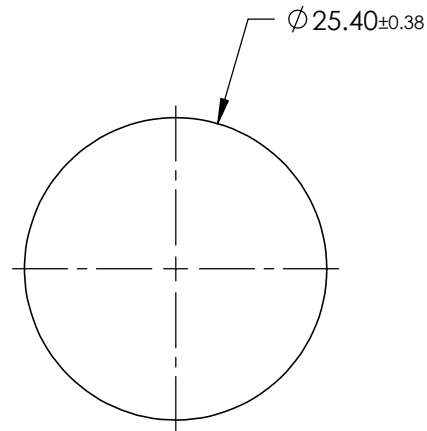
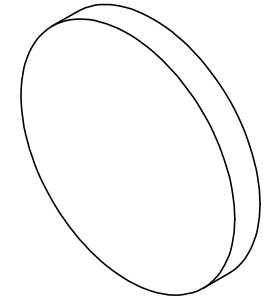
$\varnothing 25.4\text{mm}$ , OG-590 LONGPASS FILTER

DWG NO

46063

SHEET  
1 OF 1

**FOR INFORMATION ONLY:  
DO NOT MANUFACTURE  
PARTS TO THIS DRAWING**



LONGPASS FILTER

SPECIFICATIONS SUBJECT TO CHANGE WITHOUT NOTICE  
DIMENSIONS ARE FOR REFERENCE ONLY

REV. A	VALUE
SHAPE	PLANO
SPECTRAL TRANSMITTANCE $t_{ip}(\%)$	94
PASSBAND LIMIT $\lambda_{p1}$ (nm)	690
CUT-OFF POSITION $\lambda_c$ (nm)	610±6
STOPBAND LIMIT $\lambda_s$ (nm)	530
WAVELENGTH	VIS
BEVEL	PROTECTIVE AS NEEDED



ALL DIMS IN

mm

TITLE

Ø25.4mm, RG-610 LONGPASS FILTER

DWG NO

46429

SHEET  
1 OF 1