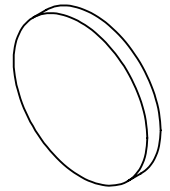


NOTES:

**FOR INFORMATION ONLY:  
DO NOT MANUFACTURE  
PARTS TO THIS DRAWING**

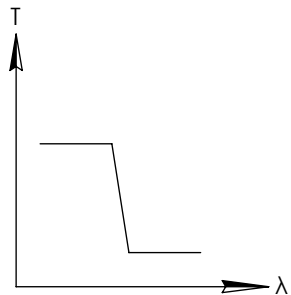


1. SUBSTRATE: UV GRADE FUSED SILICA
  2. SURFACE S2 TO BE PARALLEL WITH SURFACE S1 TO WITHIN <30 arcsec
  3. COATING (APPLY ACROSS COATING APERTURE)
- DURABILITY: MIL-C-48497A, SECT. 3.4.1

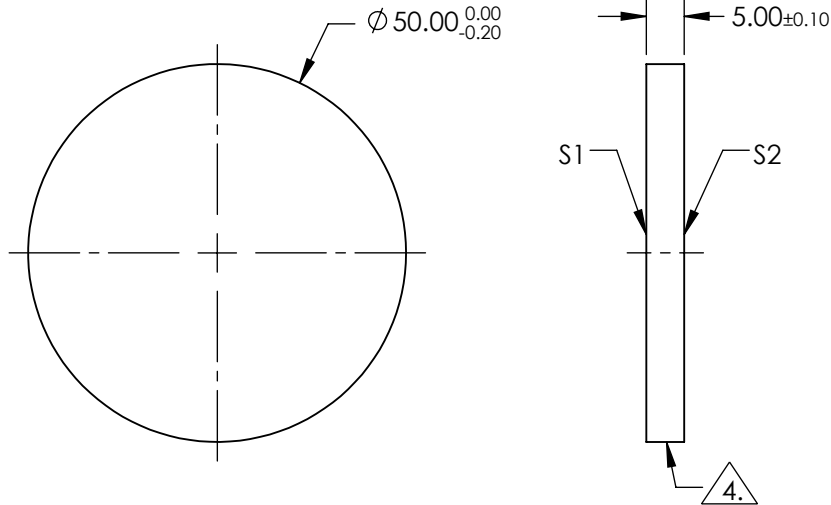
PERFORMANCE SPECIFICATIONS: @ 0° AOI  
 T(avg): ≥91% FROM 300 - 392nm  
 T(avg): ≤ 0.01% FROM 410 - 610nm  
 CUT-OFF SLOPE: <1%  
 CUT-OFF WAVELENGTH: 400nm ± 1%

4. FINE GRIND SURFACE

5. POWER, IRREGULARITY, AND SURFACE QUALITY SPECIFICATIONS APPLY ACROSS CLEAR APERTURE
6. TRANSMITTED WAVEFRONT DISTORTION RMS@ 632.8nm ≤ ¼ λ
7. ROHS COMPLIANT



SHORTPASS FILTER

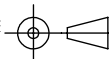


SPECIFICATIONS SUBJECT TO CHANGE WITHOUT NOTICE  
 DIMENSIONS ARE FOR REFERENCE ONLY



	S1	S2
SHAPE	PLANO	PLANO
SURFACE QUALITY	60-40	60-40
CLEAR APERTURE	>80%	>80%
BEVEL	PROTECTIVE AS NEEDED	PROTECTIVE AS NEEDED

THIRD ANGLE PROJECTION



ALL DIMS IN

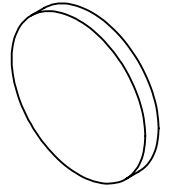
mm

TITLE	400nm 50mm Diameter, OD 4 Shortpass Filter
DWG NO	84715
SHEET	1 OF 1

NOTES:

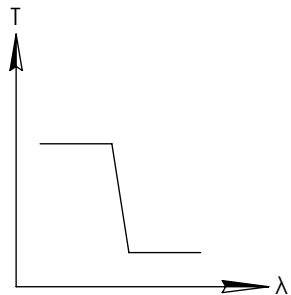
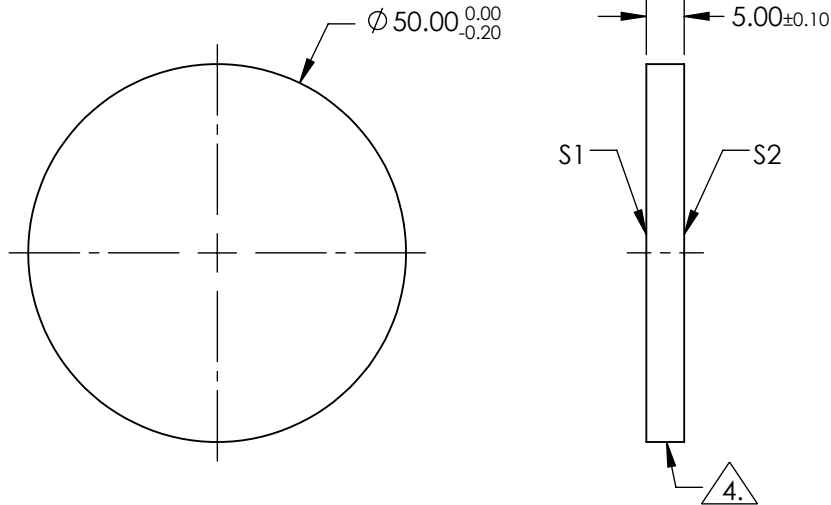
1. SUBSTRATE: UV GRADE FUSED SILICA
2. SURFACE S2 TO BE PARALLEL WITH SURFACE S1 TO WITHIN <30 arcsec
3. COATING (APPLY ACROSS COATING APERTURE)  
 DURABILITY: MIL-C-48497A, SECT. 3.4.1  
 PERFORMANCE SPECIFICATIONS: @ 0° AOI  
 T(avg): ≥91% FROM 300 - 417nm  
 T(avg): ≤ 0.01% FROM 435 - 635nm  
 CUT-OFF SLOPE: <1%  
 CUT-OFF WAVELENGTH: 425nm ± 1%

FOR INFORMATION ONLY:  
DO NOT MANUFACTURE  
PARTS TO THIS DRAWING



4. FINE GRIND SURFACE

5. POWER, IRREGULARITY, AND SURFACE QUALITY SPECIFICATIONS APPLY ACROSS CLEAR APERTURE
6. TRANSMITTED WAVEFRONT DISTORTION RMS@ 632.8nm ≤ ¼ λ
7. ROHS COMPLIANT



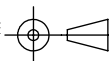
SHORTPASS FILTER

SPECIFICATIONS SUBJECT TO CHANGE WITHOUT NOTICE  
DIMENSIONS ARE FOR REFERENCE ONLY

**EO**® Edmund Optics®

	S1	S2
SHAPE	PLANO	PLANO
SURFACE QUALITY	60-40	60-40
CLEAR APERTURE	>80%	>80%
BEVEL	PROTECTIVE AS NEEDED	PROTECTIVE AS NEEDED

THIRD ANGLE PROJECTION



ALL DIMS IN

mm

TITLE

425nm 50mm Diameter, OD 4 Shortpass Filter

DWG NO

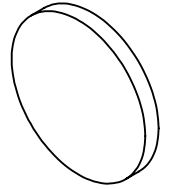
84716

SHEET  
1 OF 1

NOTES:

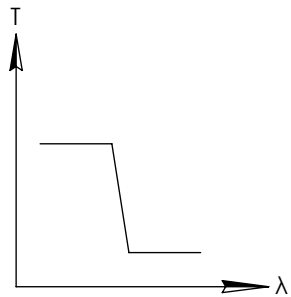
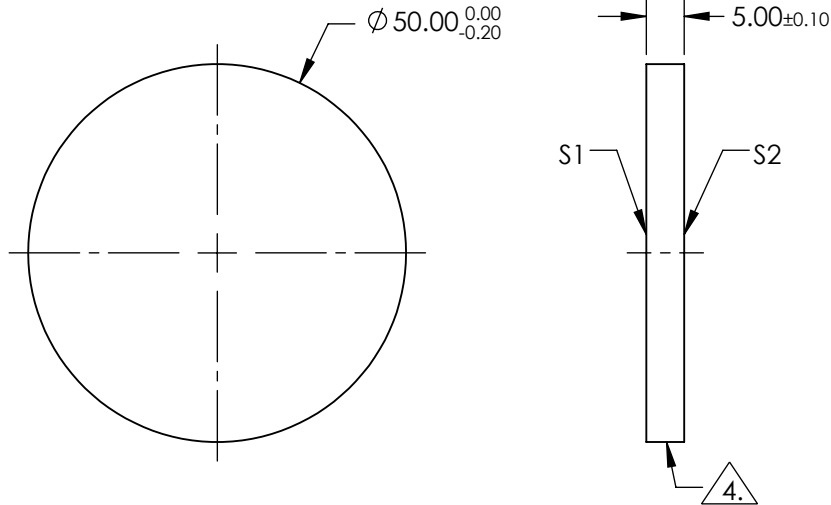
1. SUBSTRATE: UV GRADE FUSED SILICA
2. SURFACE S2 TO BE PARALLEL WITH SURFACE S1 TO WITHIN <30 arcsec
3. COATING (APPLY ACROSS COATING APERTURE)  
 DURABILITY: MIL-C-48497A, SECT. 3.4.1  
 PERFORMANCE SPECIFICATIONS: @ 0° AOI  
 T(avg): ≥91% FROM 300 - 441nm  
 T(avg): ≤ 0.01% FROM 460 - 660nm  
 CUT-OFF SLOPE: <1%  
 CUT-OFF WAVELENGTH: 450nm ± 1%

FOR INFORMATION ONLY:  
DO NOT MANUFACTURE  
PARTS TO THIS DRAWING



 FINE GRIND SURFACE

5. POWER, IRREGULARITY, AND SURFACE QUALITY SPECIFICATIONS APPLY ACROSS CLEAR APERTURE
6. TRANSMITTED WAVEFRONT DISTORTION RMS@ 632.8nm ≤ ¼ λ
7. ROHS COMPLIANT



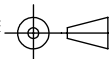
SHORTPASS FILTER

SPECIFICATIONS SUBJECT TO CHANGE WITHOUT NOTICE  
DIMENSIONS ARE FOR REFERENCE ONLY

 **Edmund Optics®**

	S1	S2
SHAPE	PLANO	PLANO
SURFACE QUALITY	60-40	60-40
CLEAR APERTURE	>80%	>80%
BEVEL	PROTECTIVE AS NEEDED	PROTECTIVE AS NEEDED

THIRD ANGLE PROJECTION



ALL DIMS IN

mm

TITLE

450nm 50mm Diameter, OD 4 Shortpass Filter

DWG NO

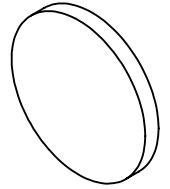
84717

SHEET  
1 OF 1

NOTES:

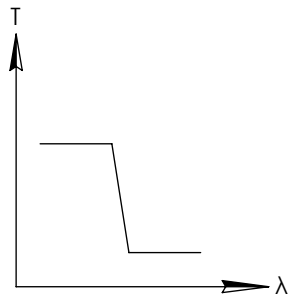
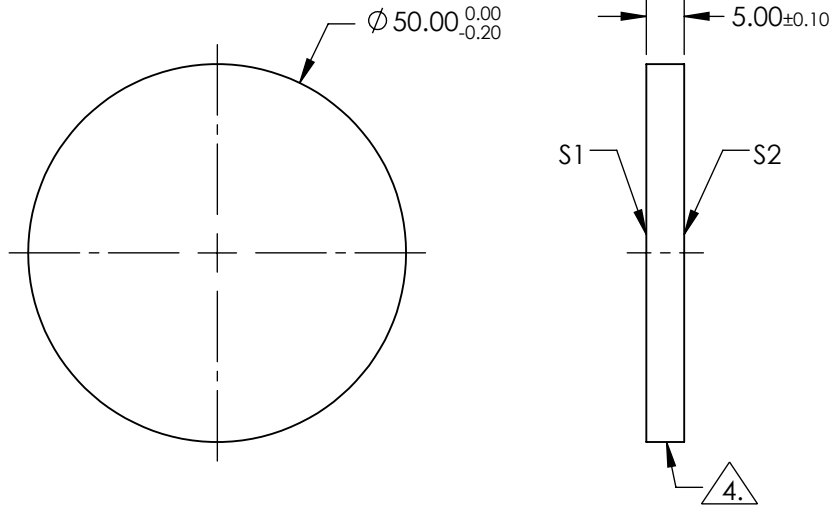
1. SUBSTRATE: UV GRADE FUSED SILICA
2. SURFACE S2 TO BE PARALLEL WITH SURFACE S1 TO WITHIN <30 arcsec
3. COATING (APPLY ACROSS COATING APERTURE)  
 DURABILITY: MIL-C-48497A, SECT. 3.4.1  
 PERFORMANCE SPECIFICATIONS: @ 0° AOI  
 T(avg): ≥91% FROM 300 - 466nm  
 T(avg): ≤ 0.01% FROM 485 - 685nm  
 CUT-OFF SLOPE: <1%  
 CUT-OFF WAVELENGTH: 475nm ± 1%

FOR INFORMATION ONLY:  
DO NOT MANUFACTURE  
PARTS TO THIS DRAWING



 FINE GRIND SURFACE

5. POWER, IRREGULARITY, AND SURFACE QUALITY SPECIFICATIONS APPLY ACROSS CLEAR APERTURE
6. TRANSMITTED WAVEFRONT DISTORTION RMS@ 632.8nm ≤ ¼ λ
7. ROHS COMPLIANT



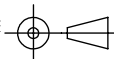
SHORTPASS FILTER

SPECIFICATIONS SUBJECT TO CHANGE WITHOUT NOTICE  
DIMENSIONS ARE FOR REFERENCE ONLY

 **Edmund Optics®**

	S1	S2
SHAPE	PLANO	PLANO
SURFACE QUALITY	60-40	60-40
CLEAR APERTURE	>80%	>80%
BEVEL	PROTECTIVE AS NEEDED	PROTECTIVE AS NEEDED

THIRD ANGLE PROJECTION



ALL DIMS IN

mm

TITLE

475nm 50mm Diameter, OD 4 Shortpass Filter

DWG NO

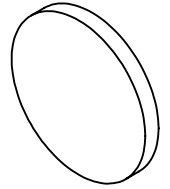
84718

SHEET  
1 OF 1

NOTES:

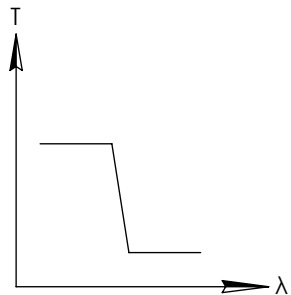
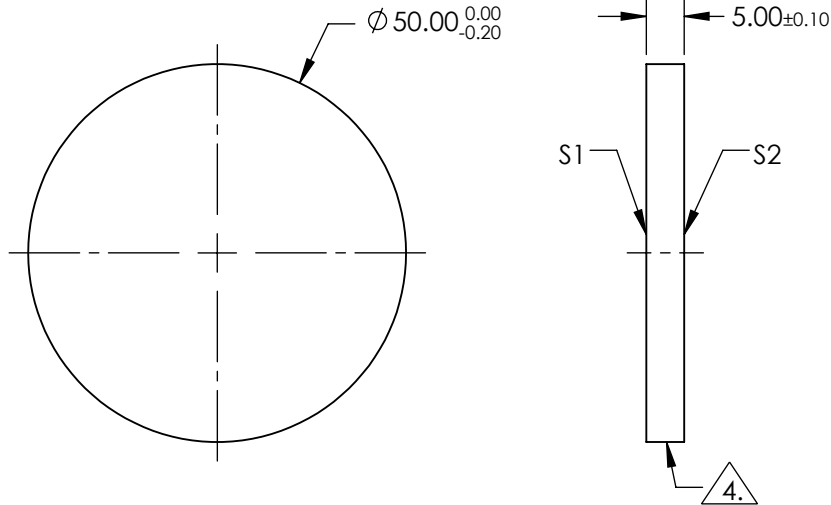
1. SUBSTRATE: UV GRADE FUSED SILICA
2. SURFACE S2 TO BE PARALLEL WITH SURFACE S1 TO WITHIN <30 arcsec
3. COATING (APPLY ACROSS COATING APERTURE)  
 DURABILITY: MIL-C-48497A, SECT. 3.4.1  
 PERFORMANCE SPECIFICATIONS: @ 0° AOI  
 T(avg): ≥91% FROM 300 - 490nm  
 T(avg): ≤ 0.01% FROM 512 - 715nm  
 CUT-OFF SLOPE: <1%  
 CUT-OFF WAVELENGTH: 500nm ± 1%

FOR INFORMATION ONLY:  
DO NOT MANUFACTURE  
PARTS TO THIS DRAWING



4. FINE GRIND SURFACE

5. POWER, IRREGULARITY, AND SURFACE QUALITY SPECIFICATIONS APPLY ACROSS CLEAR APERTURE
6. TRANSMITTED WAVEFRONT DISTORTION RMS@ 632.8nm ≤ ¼ λ
7. ROHS COMPLIANT



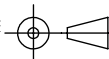
SHORTPASS FILTER

SPECIFICATIONS SUBJECT TO CHANGE WITHOUT NOTICE  
DIMENSIONS ARE FOR REFERENCE ONLY

**EO**® Edmund Optics®

	S1	S2
SHAPE	PLANO	PLANO
SURFACE QUALITY	60-40	60-40
CLEAR APERTURE	>80%	>80%
BEVEL	PROTECTIVE AS NEEDED	PROTECTIVE AS NEEDED

THIRD ANGLE PROJECTION



ALL DIMS IN

mm

TITLE

500nm 50mm Diameter, OD 4 Shortpass Filter

DWG NO

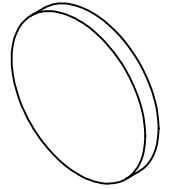
84719

SHEET  
1 OF 1

NOTES:

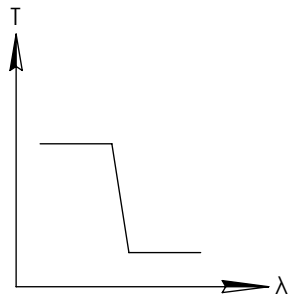
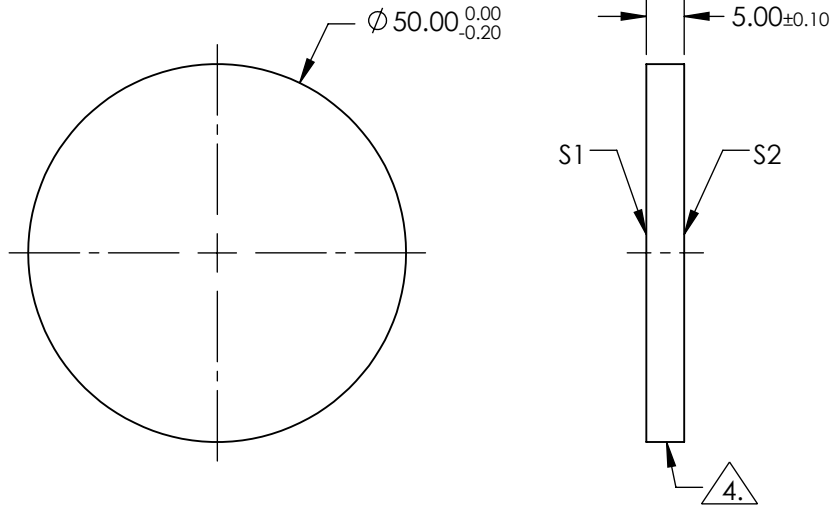
1. SUBSTRATE: UV GRADE FUSED SILICA
2. SURFACE S2 TO BE PARALLEL WITH SURFACE S1 TO WITHIN <30 arcsec
3. COATING (APPLY ACROSS COATING APERTURE)  
 DURABILITY: MIL-C-48497A, SECT. 3.4.1  
 PERFORMANCE SPECIFICATIONS: @ 0° AOI  
 T(avg): ≥91% FROM 300 - 515nm  
 T(avg): ≤ 0.01% FROM 537 - 740nm  
 CUT-OFF SLOPE: <1%  
 CUT-OFF WAVELENGTH: 525nm ± 1%

FOR INFORMATION ONLY:  
DO NOT MANUFACTURE  
PARTS TO THIS DRAWING



4. FINE GRIND SURFACE

5. POWER, IRREGULARITY, AND SURFACE QUALITY SPECIFICATIONS APPLY ACROSS CLEAR APERTURE
6. TRANSMITTED WAVEFRONT DISTORTION RMS@ 632.8nm ≤ ¼ λ
7. ROHS COMPLIANT



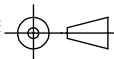
SHORTPASS FILTER

SPECIFICATIONS SUBJECT TO CHANGE WITHOUT NOTICE  
DIMENSIONS ARE FOR REFERENCE ONLY

**EO**® Edmund Optics®

	S1	S2
SHAPE	PLANO	PLANO
SURFACE QUALITY	60-40	60-40
CLEAR APERTURE	>80%	>80%
BEVEL	PROTECTIVE AS NEEDED	PROTECTIVE AS NEEDED

THIRD ANGLE PROJECTION



ALL DIMS IN

mm

TITLE

525nm 50mm Diameter, OD 4 Shortpass Filter

DWG NO

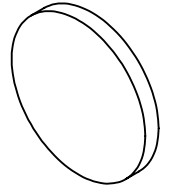
84720

SHEET  
1 OF 1

NOTES:

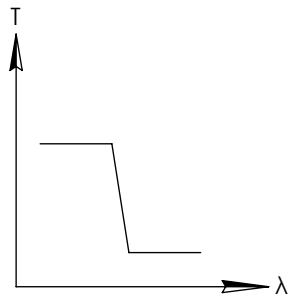
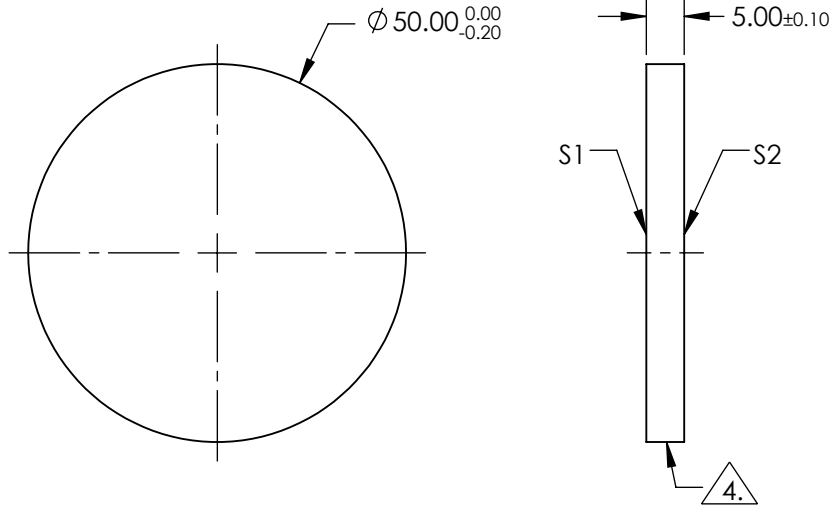
1. SUBSTRATE: UV GRADE FUSED SILICA
2. SURFACE S2 TO BE PARALLEL WITH SURFACE S1 TO WITHIN <30 arcsec
3. COATING (APPLY ACROSS COATING APERTURE)  
 DURABILITY: MIL-C-48497A, SECT. 3.4.1  
 PERFORMANCE SPECIFICATIONS: @ 0° AOI  
 T(avg): ≥91% FROM 350 - 539nm  
 T(avg): ≤ 0.01% FROM 562 - 825nm  
 CUT-OFF SLOPE: <1%  
 CUT-OFF WAVELENGTH: 550nm ± 1%

FOR INFORMATION ONLY:  
DO NOT MANUFACTURE  
PARTS TO THIS DRAWING



4. FINE GRIND SURFACE

5. POWER, IRREGULARITY, AND SURFACE QUALITY SPECIFICATIONS APPLY ACROSS CLEAR APERTURE
6. TRANSMITTED WAVEFRONT DISTORTION RMS@ 632.8nm ≤ ¼ λ
7. ROHS COMPLIANT

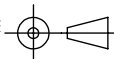


SHORTPASS FILTER

SPECIFICATIONS SUBJECT TO CHANGE WITHOUT NOTICE  
DIMENSIONS ARE FOR REFERENCE ONLY

	S1	S2
SHAPE	PLANO	PLANO
SURFACE QUALITY	60-40	60-40
CLEAR APERTURE	>80%	>80%
BEVEL	PROTECTIVE AS NEEDED	PROTECTIVE AS NEEDED

THIRD ANGLE PROJECTION



ALL DIMS IN

mm

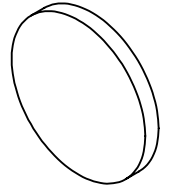
**EO**® Edmund Optics®

TITLE	550nm 50mm Diameter, OD 4 Shortpass Filter
DWG NO	84721
SHEET	1 OF 1

NOTES:

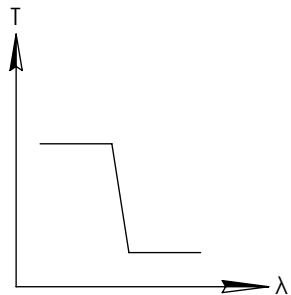
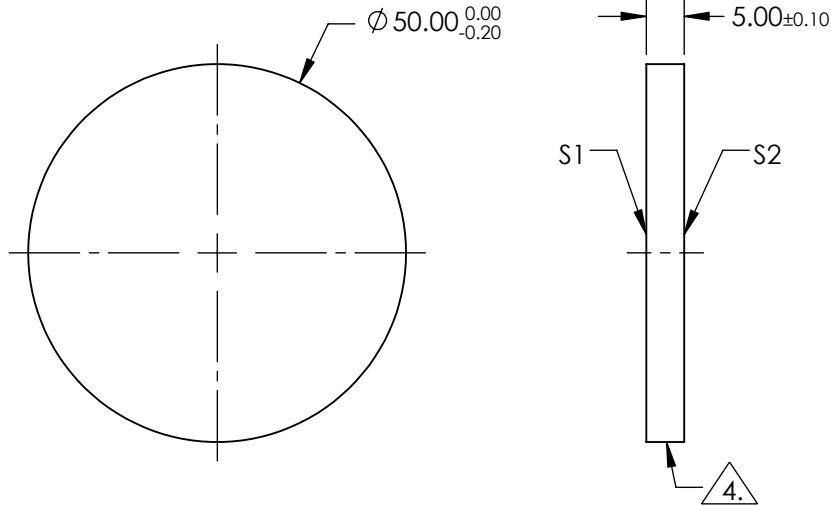
1. SUBSTRATE: UV GRADE FUSED SILICA
2. SURFACE S2 TO BE PARALLEL WITH SURFACE S1 TO WITHIN <30 arcsec
3. COATING (APPLY ACROSS COATING APERTURE)  
 DURABILITY: MIL-C-48497A, SECT. 3.4.1  
 PERFORMANCE SPECIFICATIONS: @ 0° AOI  
 T(avg): ≥91% FROM 350 - 564nm  
 T(avg): ≤ 0.01% FROM 587 - 850nm  
 CUT-OFF SLOPE: <1%  
 CUT-OFF WAVELENGTH: 575nm ± 1%

FOR INFORMATION ONLY:  
DO NOT MANUFACTURE  
PARTS TO THIS DRAWING



4. FINE GRIND SURFACE

5. POWER, IRREGULARITY, AND SURFACE QUALITY SPECIFICATIONS APPLY ACROSS CLEAR APERTURE
6. TRANSMITTED WAVEFRONT DISTORTION RMS@ 632.8nm ≤ ¼ λ
7. ROHS COMPLIANT



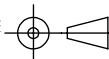
SHORTPASS FILTER

SPECIFICATIONS SUBJECT TO CHANGE WITHOUT NOTICE  
DIMENSIONS ARE FOR REFERENCE ONLY

**EO**® Edmund Optics®

	S1	S2
SHAPE	PLANO	PLANO
SURFACE QUALITY	60-40	60-40
CLEAR APERTURE	>80%	>80%
BEVEL	PROTECTIVE AS NEEDED	PROTECTIVE AS NEEDED

THIRD ANGLE PROJECTION



ALL DIMS IN

mm

TITLE

575nm 50mm Diameter, OD 4 Shortpass Filter

DWG NO

84722

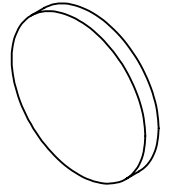
SHEET  
1 OF 1



NOTES:

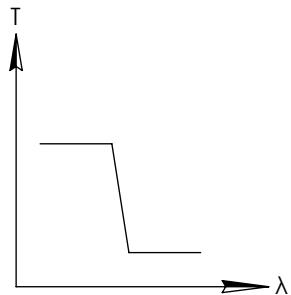
1. SUBSTRATE: UV GRADE FUSED SILICA
2. SURFACE S2 TO BE PARALLEL WITH SURFACE S1 TO WITHIN <30 arcsec
3. COATING (APPLY ACROSS COATING APERTURE)  
 DURABILITY: MIL-C-48497A, SECT. 3.4.1  
 PERFORMANCE SPECIFICATIONS: @ 0° AOI  
 T(avg): ≥91% FROM 350 - 587nm  
 T(avg): ≤ 0.01% FROM 614 - 900nm  
 CUT-OFF SLOPE: <1%  
 CUT-OFF WAVELENGTH: 600nm ± 1%

FOR INFORMATION ONLY:  
DO NOT MANUFACTURE  
PARTS TO THIS DRAWING

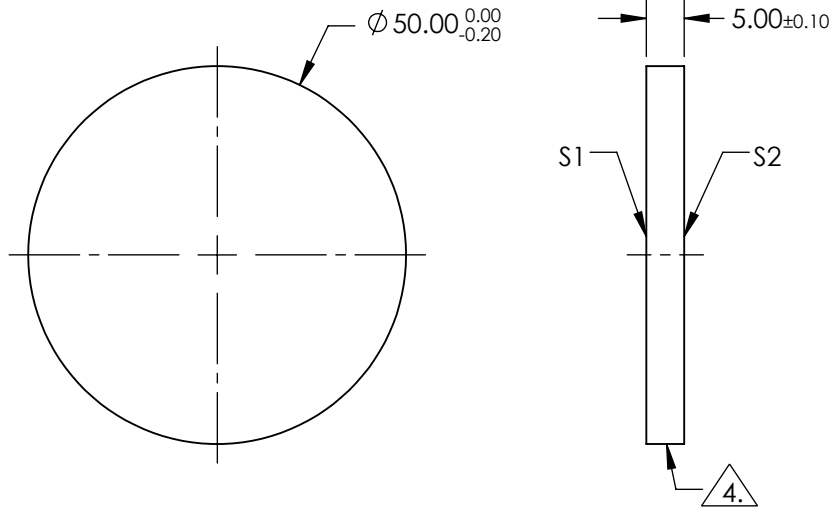


4. FINE GRIND SURFACE

5. POWER, IRREGULARITY, AND SURFACE QUALITY SPECIFICATIONS APPLY ACROSS CLEAR APERTURE
6. TRANSMITTED WAVEFRONT DISTORTION RMS@ 632.8nm ≤ ¼ λ
7. ROHS COMPLIANT



SHORTPASS FILTER

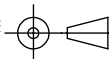


SPECIFICATIONS SUBJECT TO CHANGE WITHOUT NOTICE  
DIMENSIONS ARE FOR REFERENCE ONLY

**EO**® Edmund Optics®

	S1	S2
SHAPE	PLANO	PLANO
SURFACE QUALITY	60-40	60-40
CLEAR APERTURE	>80%	>80%
BEVEL	PROTECTIVE AS NEEDED	PROTECTIVE AS NEEDED

THIRD ANGLE PROJECTION



ALL DIMS IN

mm

TITLE

600nm 50mm Diameter, OD 4 Shortpass Filter

DWG NO

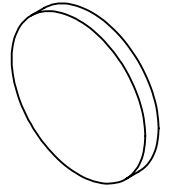
84723

SHEET  
1 OF 1

NOTES:

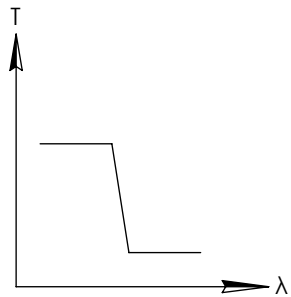
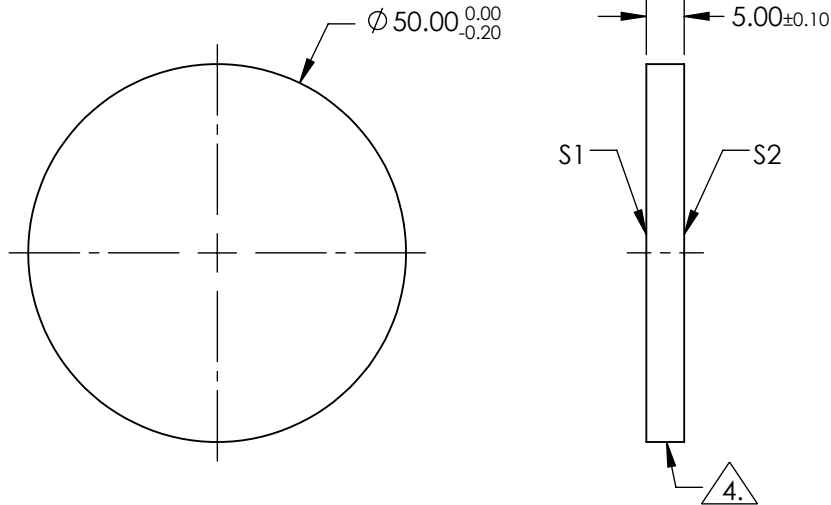
1. SUBSTRATE: UV GRADE FUSED SILICA
2. SURFACE S2 TO BE PARALLEL WITH SURFACE S1 TO WITHIN <30 arcsec
3. COATING (APPLY ACROSS COATING APERTURE)  
 DURABILITY: MIL-C-48497A, SECT. 3.4.1  
 PERFORMANCE SPECIFICATIONS: @ 0° AOI  
 T(avg): ≥91% FROM 350 - 612nm  
 T(avg): ≤ 0.01% FROM 639 - 925nm  
 CUT-OFF SLOPE: <1%  
 CUT-OFF WAVELENGTH: 625nm ± 1%

FOR INFORMATION ONLY:  
DO NOT MANUFACTURE  
PARTS TO THIS DRAWING



4. FINE GRIND SURFACE

5. POWER, IRREGULARITY, AND SURFACE QUALITY SPECIFICATIONS APPLY ACROSS CLEAR APERTURE
6. TRANSMITTED WAVEFRONT DISTORTION RMS@ 632.8nm ≤ ¼ λ
7. ROHS COMPLIANT



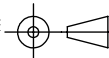
SHORTPASS FILTER

SPECIFICATIONS SUBJECT TO CHANGE WITHOUT NOTICE  
DIMENSIONS ARE FOR REFERENCE ONLY

**EO**® Edmund Optics®

	S1	S2
SHAPE	PLANO	PLANO
SURFACE QUALITY	60-40	60-40
CLEAR APERTURE	>80%	>80%
BEVEL	PROTECTIVE AS NEEDED	PROTECTIVE AS NEEDED

THIRD ANGLE PROJECTION



ALL DIMS IN

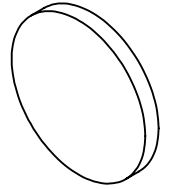
mm

TITLE	625nm 50mm Diameter, OD 4 Shortpass Filter
DWG NO	84724
SHEET	1 OF 1

NOTES:

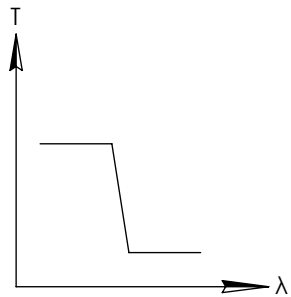
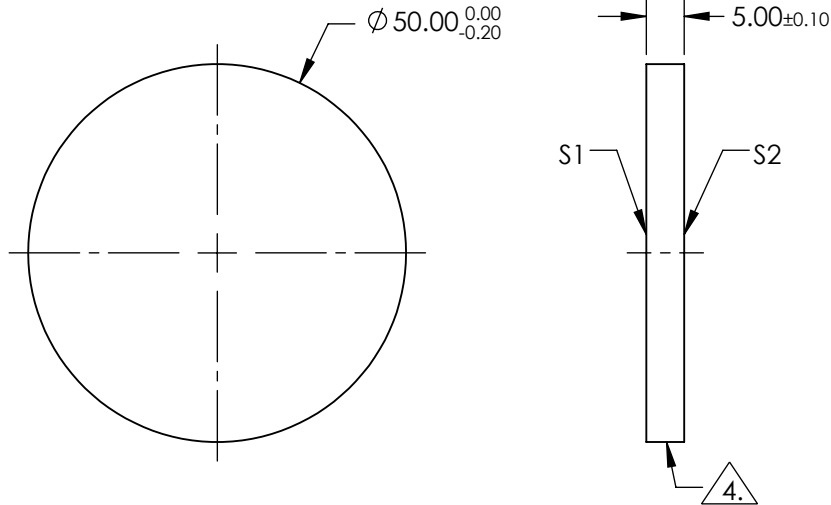
1. SUBSTRATE: UV GRADE FUSED SILICA
2. SURFACE S2 TO BE PARALLEL WITH SURFACE S1 TO WITHIN <30 arcsec
3. COATING (APPLY ACROSS COATING APERTURE)  
 DURABILITY: MIL-C-48497A, SECT. 3.4.1  
 PERFORMANCE SPECIFICATIONS: @ 0° AOI  
 T(avg): ≥91% FROM 350 - 636nm  
 T(avg): ≤ 0.01% FROM 665 - 960nm  
 CUT-OFF SLOPE: <1%  
 CUT-OFF WAVELENGTH: 650nm ± 1%

FOR INFORMATION ONLY:  
DO NOT MANUFACTURE  
PARTS TO THIS DRAWING



4. FINE GRIND SURFACE

5. POWER, IRREGULARITY, AND SURFACE QUALITY SPECIFICATIONS APPLY ACROSS CLEAR APERTURE
6. TRANSMITTED WAVEFRONT DISTORTION RMS@ 632.8nm ≤ ¼ λ
7. ROHS COMPLIANT



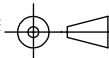
SHORTPASS FILTER

SPECIFICATIONS SUBJECT TO CHANGE WITHOUT NOTICE  
DIMENSIONS ARE FOR REFERENCE ONLY

**EO**® Edmund Optics®

	S1	S2
SHAPE	PLANO	PLANO
SURFACE QUALITY	60-40	60-40
CLEAR APERTURE	>80%	>80%
BEVEL	PROTECTIVE AS NEEDED	PROTECTIVE AS NEEDED

THIRD ANGLE PROJECTION



ALL DIMS IN

mm

TITLE

650nm 50mm Diameter, OD 4 Shortpass Filter

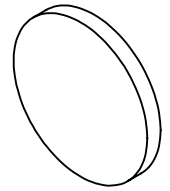
DWG NO

84725

SHEET  
1 OF 1

NOTES:

**FOR INFORMATION ONLY:  
DO NOT MANUFACTURE  
PARTS TO THIS DRAWING**



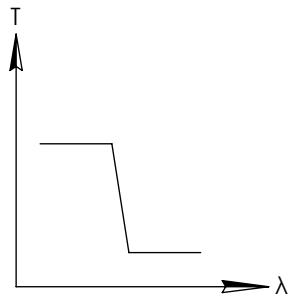
1. SUBSTRATE: UV GRADE FUSED SILICA
2. SURFACE S2 TO BE PARALLEL WITH SURFACE S1 TO WITHIN <30 arcsec
3. COATING (APPLY ACROSS COATING APERTURE)

DURABILITY: MIL-C-48497A, SECT. 3.4.1

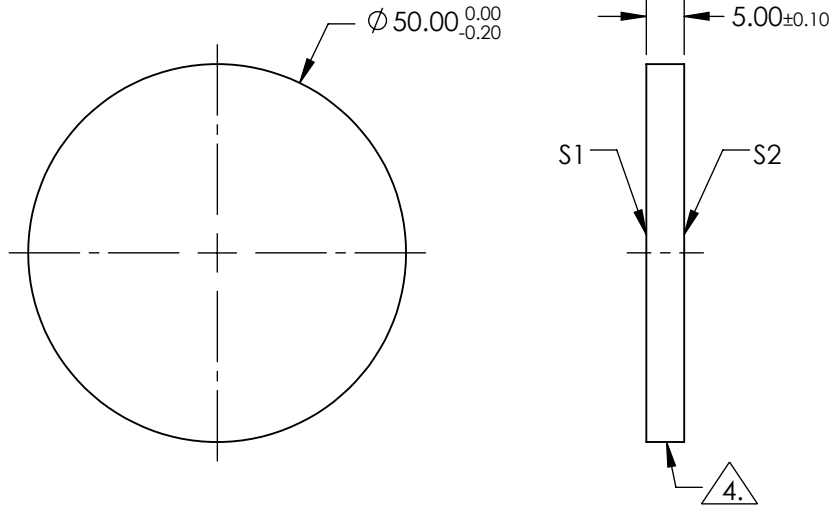
PERFORMANCE SPECIFICATIONS: @ 0° AOI  
 T(avg): ≥91% FROM 350 - 661nm  
 T(avg): ≤ 0.01% FROM 690 - 1000nm  
 CUT-OFF SLOPE: <1%  
 CUT-OFF WAVELENGTH: 675nm ± 1%

4. FINE GRIND SURFACE

5. POWER, IRREGULARITY, AND SURFACE QUALITY SPECIFICATIONS APPLY ACROSS CLEAR APERTURE
6. TRANSMITTED WAVEFRONT DISTORTION RMS@ 632.8nm ≤ ¼ λ
7. ROHS COMPLIANT



SHORTPASS FILTER

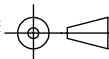


SPECIFICATIONS SUBJECT TO CHANGE WITHOUT NOTICE  
 DIMENSIONS ARE FOR REFERENCE ONLY



	S1	S2
SHAPE	PLANO	PLANO
SURFACE QUALITY	60-40	60-40
CLEAR APERTURE	>80%	>80%
BEVEL	PROTECTIVE AS NEEDED	PROTECTIVE AS NEEDED

THIRD ANGLE PROJECTION



ALL DIMS IN

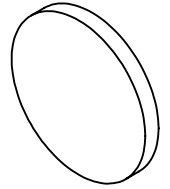
mm

TITLE	675nm 50mm Diameter, OD 4 Shortpass Filter
DWG NO	84726
SHEET	1 OF 1

NOTES:

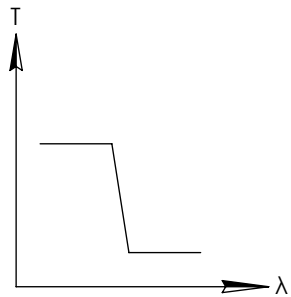
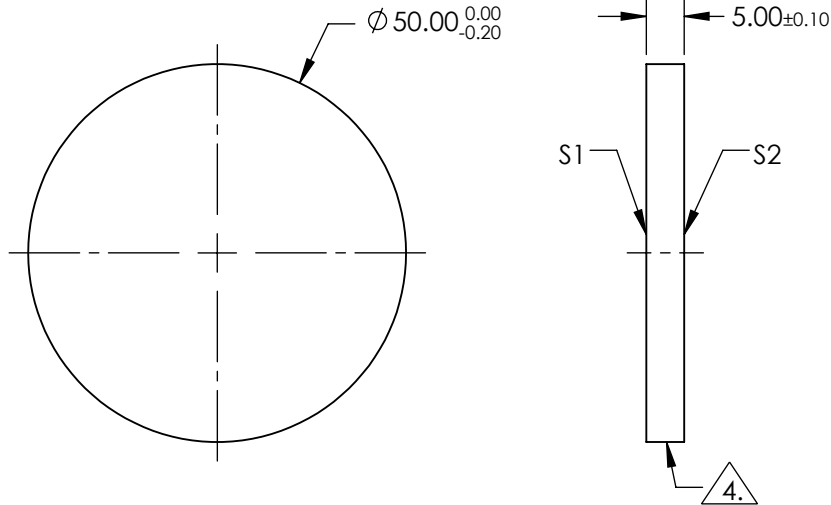
1. SUBSTRATE: UV GRADE FUSED SILICA
2. SURFACE S2 TO BE PARALLEL WITH SURFACE S1 TO WITHIN <30 arcsec
3. COATING (APPLY ACROSS COATING APERTURE)  
 DURABILITY: MIL-C-48497A, SECT. 3.4.1  
 PERFORMANCE SPECIFICATIONS: @ 0° AOI  
 T(avg): ≥91% FROM 400 - 685nm  
 T(avg): ≤ 0.01% FROM 715 - 1050nm  
 CUT-OFF SLOPE: <1%  
 CUT-OFF WAVELENGTH: 700nm ± 1%

FOR INFORMATION ONLY:  
DO NOT MANUFACTURE  
PARTS TO THIS DRAWING



4. FINE GRIND SURFACE

5. POWER, IRREGULARITY, AND SURFACE QUALITY SPECIFICATIONS APPLY ACROSS CLEAR APERTURE
6. TRANSMITTED WAVEFRONT DISTORTION RMS@ 632.8nm ≤ ¼ λ
7. ROHS COMPLIANT



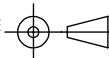
SHORTPASS FILTER

SPECIFICATIONS SUBJECT TO CHANGE WITHOUT NOTICE  
DIMENSIONS ARE FOR REFERENCE ONLY

**EO**® Edmund Optics®

	S1	S2
SHAPE	PLANO	PLANO
SURFACE QUALITY	60-40	60-40
CLEAR APERTURE	>80%	>80%
BEVEL	PROTECTIVE AS NEEDED	PROTECTIVE AS NEEDED

THIRD ANGLE PROJECTION



ALL DIMS IN

mm

TITLE

700nm 50mm Diameter, OD 4 Shortpass Filter

DWG NO

84727

SHEET  
1 OF 1