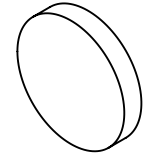


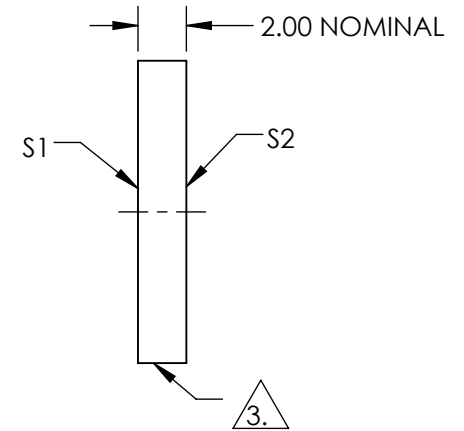
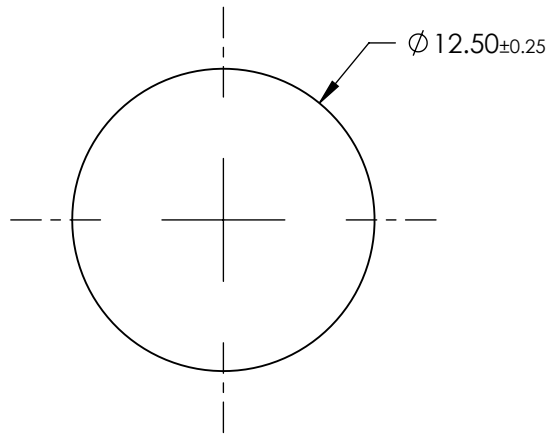
NOTES:

1. SUBSTRATE:
BOROFLOAT®
2. COATING PERFORMANCE (APPLY ACROSS COATING APERTURE)
T(AVG) >80% @ 400 - 550nm
T(AVG) <1.0% @ 640 - 740nm



3. FINE GROUND SURFACE

4. ROHS COMPLIANT



**FOR INFORMATION ONLY:
DO NOT MANUFACTURE
PARTS TO THIS DRAWING**

SPECIFICATIONS SUBJECT TO CHANGE WITHOUT NOTICE
DIMENSIONS ARE FOR REFERENCE ONLY

	S1	S2
SHAPE	PLANO	PLANO
SURFACE QUALITY	80-50	80-50
CLEAR APERTURE	≥85%	≥85%
BEVEL	PROTECTIVE AS NEEDED	PROTECTIVE AS NEEDED

THIRD ANGLE PROJECTION

ALL DIMS IN mm

EO® Edmund Optics®

TITLE

12.5mm Diameter, Cyan Dichroic Filter

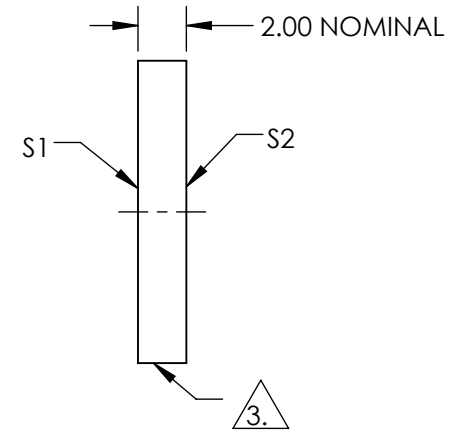
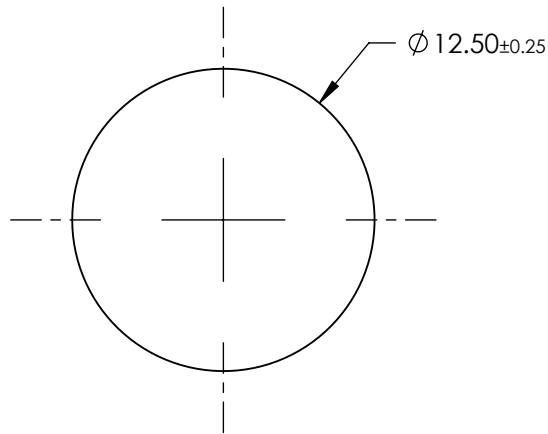
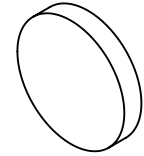
DWG NO

52536

SHEET
1 OF 1

NOTES:

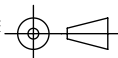
1. SUBSTRATE:
BOROFLOAT®
2. COATING PERFORMANCE (APPLY ACROSS COATING APERTURE)
T(AVG) <1.0% @ 535 - 565nm
T(AVG) >80% @ 640 - 740nm
3. FINE GROUND SURFACE
4. ROHS COMPLIANT



**FOR INFORMATION ONLY:
DO NOT MANUFACTURE
PARTS TO THIS DRAWING**

SPECIFICATIONS SUBJECT TO CHANGE WITHOUT NOTICE
DIMENSIONS ARE FOR REFERENCE ONLY

	S1	S2
SHAPE	PLANO	PLANO
SURFACE QUALITY	80-50	80-50
CLEAR APERTURE	≥85%	≥85%
BEVEL	PROTECTIVE AS NEEDED	PROTECTIVE AS NEEDED

THIRD ANGLE PROJECTION 

ALL DIMS IN mm

EO® Edmund Optics®

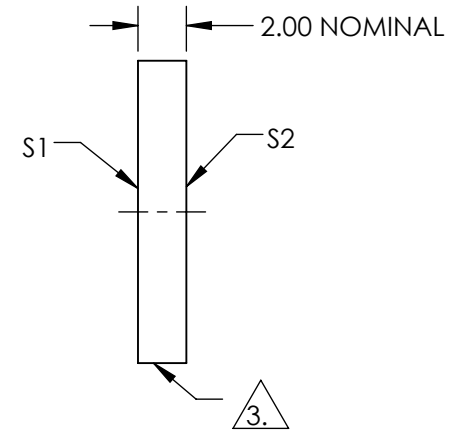
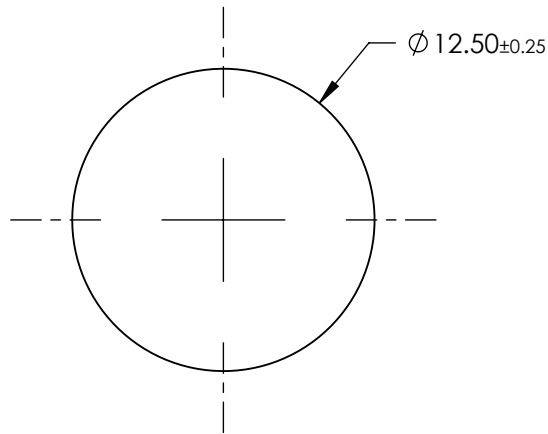
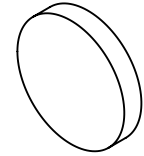
TITLE	12.5mm Diameter, Magenta Dichroic Filter		
DWG NO	52539	SHEET	1 OF 1

NOTES:

1. SUBSTRATE:
BOROFLOAT®
2. COATING PERFORMANCE (APPLY ACROSS COATING APERTURE)
T(AVG) <1.0% @ 400 - 475nm
T(AVG) >80% @ 550 - 750nm

3. FINE GROUND SURFACE

4. ROHS COMPLIANT



**FOR INFORMATION ONLY:
DO NOT MANUFACTURE
PARTS TO THIS DRAWING**

SPECIFICATIONS SUBJECT TO CHANGE WITHOUT NOTICE
DIMENSIONS ARE FOR REFERENCE ONLY

	S1	S2
SHAPE	PLANO	PLANO
SURFACE QUALITY	80-50	80-50
CLEAR APERTURE	≥85%	≥85%
BEVEL	PROTECTIVE AS NEEDED	PROTECTIVE AS NEEDED

THIRD ANGLE PROJECTION

ALL DIMS IN mm

EO® **Edmund Optics**®

TITLE	12.5mm Diameter, Yellow Dichroic Filter	
DWG NO	52542	SHEET 1 OF 1