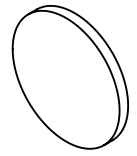


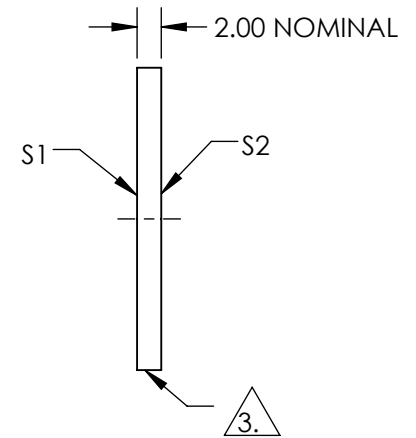
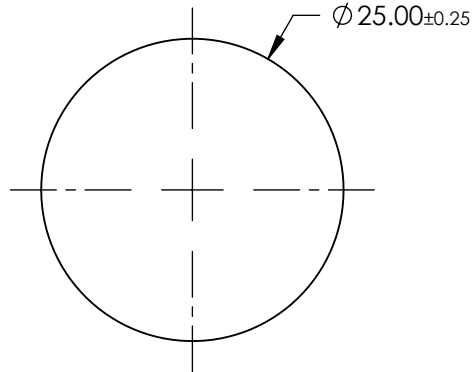
NOTES:

1. SUBSTRATE:  
BOROFLOAT®
2. COATING PERFORMANCE (APPLY ACROSS COATING APERTURE)  
T(AVG) <1.0% @ 390 - 570nm  
T(AVG) >85% @ 620 - 750nm  
T(ABS) <2.0% @ 415 - 550nm  
T(ABS) >80% @ 630 - 750nm



3. FINE GROUND SURFACE

4. ROHS COMPLIANT



**FOR INFORMATION ONLY:  
DO NOT MANUFACTURE  
PARTS TO THIS DRAWING**

SPECIFICATIONS SUBJECT TO CHANGE WITHOUT NOTICE  
DIMENSIONS ARE FOR REFERENCE ONLY

	S1	S2
SHAPE	PLANO	PLANO
SURFACE QUALITY	80-50	80-50
CLEAR APERTURE	≥85%	≥85%
BEVEL	PROTECTIVE AS NEEDED	PROTECTIVE AS NEEDED



ALL DIMS IN mm

**EO**® Edmund Optics®

TITLE

25mm Diameter, Red Dichroic Filter

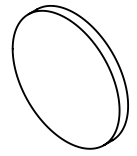
DWG NO

52528

SHEET  
1 OF 1

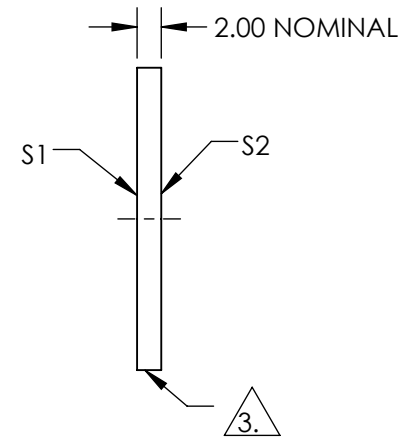
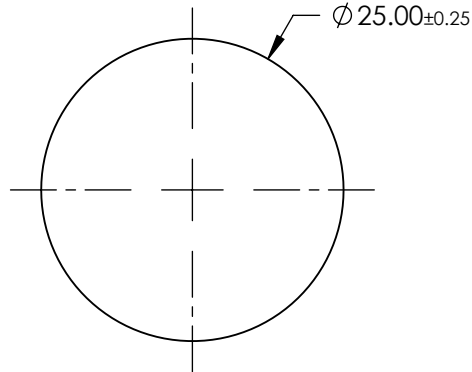
NOTES:

1. SUBSTRATE:  
BOROFLOAT®
2. COATING PERFORMANCE (APPLY ACROSS COATING APERTURE)  
T(AVG) >85% @ 390 - 485nm  
T(AVG) <1.0% @ 525 - 750nm  
T(ABS) >80% @ 400 - 485nm  
T(ABS) <1.0% @ 620 - 690nm



3. FINE GROUND SURFACE

4. ROHS COMPLIANT



**FOR INFORMATION ONLY:  
DO NOT MANUFACTURE  
PARTS TO THIS DRAWING**

SPECIFICATIONS SUBJECT TO CHANGE WITHOUT NOTICE  
DIMENSIONS ARE FOR REFERENCE ONLY

	S1	S2
SHAPE	PLANO	PLANO
SURFACE QUALITY	80-50	80-50
CLEAR APERTURE	≥85%	≥85%
BEVEL	PROTECTIVE AS NEEDED	PROTECTIVE AS NEEDED



ALL DIMS IN mm

**EO**® Edmund Optics®

TITLE

25mm Diameter, Blue Dichroic Filter

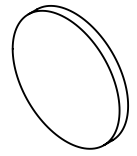
DWG NO

52531

SHEET  
1 OF 1

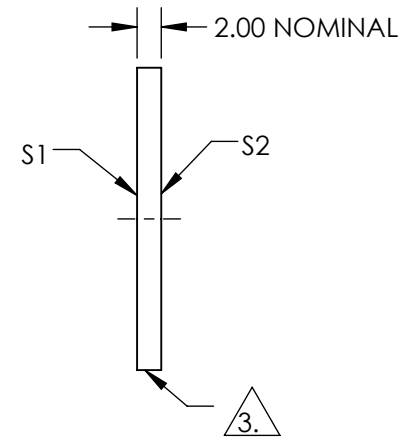
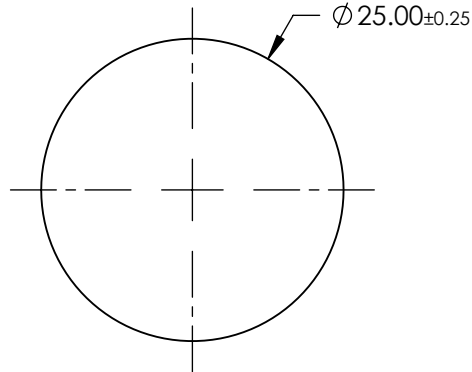
NOTES:

1. SUBSTRATE:  
BOROFLOAT®
2. COATING PERFORMANCE (APPLY ACROSS COATING APERTURE)  
 T(AVG) <1.0% @ 400 - 480nm  
 T(AVG) >80% @ 525 - 555nm  
 T(AVG) <1.0% @ 590 - 720nm  
 T(ABS) <1.0% @ 425 - 455nm  
 T(ABS) >70% @ 530 - 550nm  
 T(ABS) <1.0% @ 620 - 690nm



3. FINE GROUND SURFACE

4. ROHS COMPLIANT



**FOR INFORMATION ONLY:  
DO NOT MANUFACTURE  
PARTS TO THIS DRAWING**

SPECIFICATIONS SUBJECT TO CHANGE WITHOUT NOTICE  
DIMENSIONS ARE FOR REFERENCE ONLY

	S1	S2
SHAPE	PLANO	PLANO
SURFACE QUALITY	80-50	80-50
CLEAR APERTURE	≥85%	≥85%
BEVEL	PROTECTIVE AS NEEDED	PROTECTIVE AS NEEDED



ALL DIMS IN mm

**EO**® Edmund Optics®

TITLE

25mm Diameter, Green Dichroic Filter

DWG NO

52534

SHEET  
1 OF 1