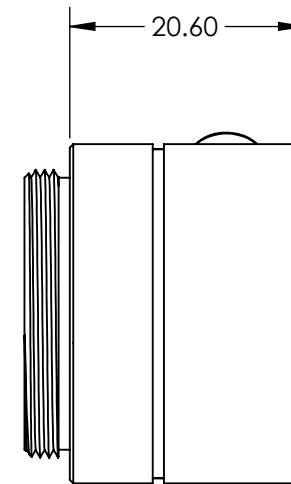
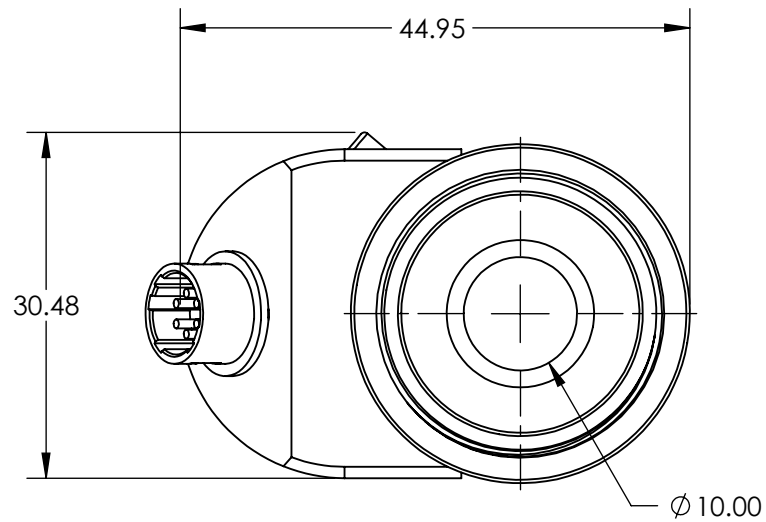


NOTES:

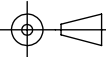
1. SUBSTRATE:
LOW DISPERSION POLYMER
2. ABBE NUMBER(Vd):
3. COATING: BBAR (700-1100nm)
4. FOCUS RANGE: -1.5 to +3.5 DIOPTER
5. TRANSMITTED WAVEFRONT ERROR, RMS:
VERTICAL: 0.15λ @ 5225nm
HORIZONTAL: 0.25λ @ 525nm
6. DAMAGE TRHRESHOLD, CW: 10 kW/cm² @ 1064nm
7. ROHS COMPLIANT



SPECIFICATIONS SUBJECT TO CHANGE WITHOUT NOTICE
DIMENSIONS ARE FOR REFERENCE ONLY

**FOR INFORMATION ONLY:
DO NOT MANUFACTURE
PARTS TO THIS DRAWING**

EO® Edmund Optics®

THIRD ANGLE PROJECTION 		TITLE	-1.5 to +3.5 DIOPTERS NIR, OPTOTUNE INDUSTRIAL FOCUS-TUNABLE LENS	
ALL DIMS IN	mm	DWG NO	89747	SHEET 1 OF 1