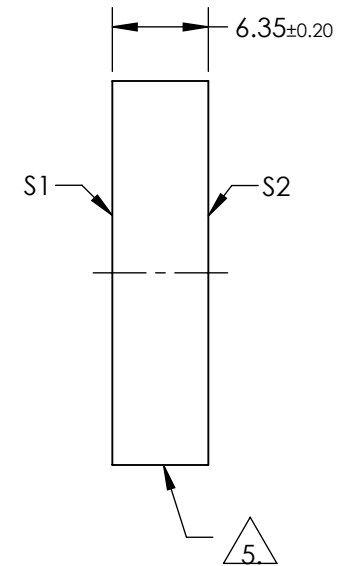
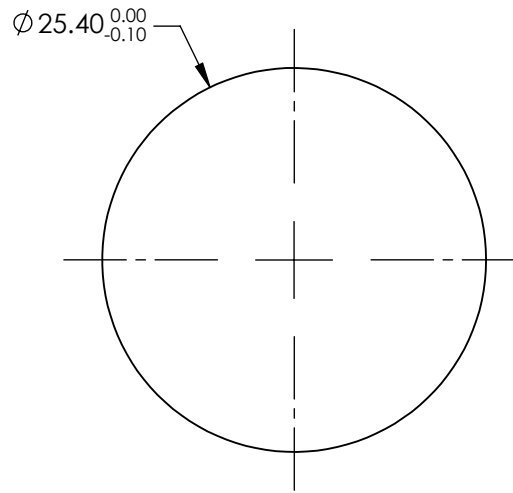


NOTES:

1. SUBSTRATE: FUSED SILICA
2. RoHS: COMPLIANT
3. SURFACE S2 TO BE PARALLEL TO SURFACE S1 TO WITHIN <3 ARCMIN
4. COATING (APPLY ACROSS COATING APERTURE)
S1 & S2: R(ABS) > 99.9% @ 532nm @ 45° AOI

DAMAGE THRESHOLD,
PULSED: 10 J/cm² @ 532nm, 20ns, 20Hz

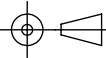
 FINE GRIND SURFACE



**FOR INFORMATION ONLY:
DO NOT MANUFACTURE
PARTS TO THIS DRAWING**

SPECIFICATIONS SUBJECT TO CHANGE WITHOUT NOTICE
DIMENSIONS ARE FOR REFERENCE ONLY

 **Edmund Optics®**

	S1	S2						
SHAPE	PLANO	PLANO	 THIRD ANGLE PROJECTION		TITLE	532nm, 45°, 25.4mm DIA., 6.35mm THICK, Nd:YAG IBS LASER LINE MIRROR		
SURFACE QUALITY	10-5	COMMERCIAL POLISH			DWG NO	34842	SHEET 1 OF 1	
CLEAR APERTURE	Ø21.59	N/A						
BEVEL	PROTECTIVE AS NEEDED	PROTECTIVE AS NEEDED			ALL DIMS IN	mm		