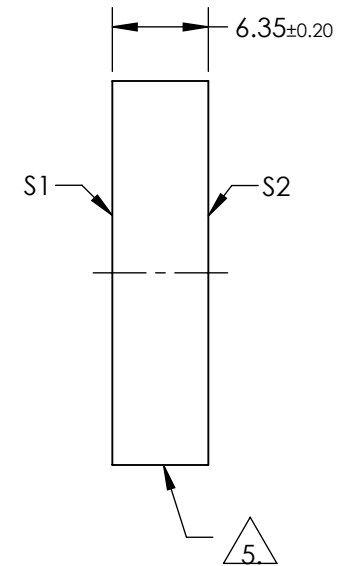
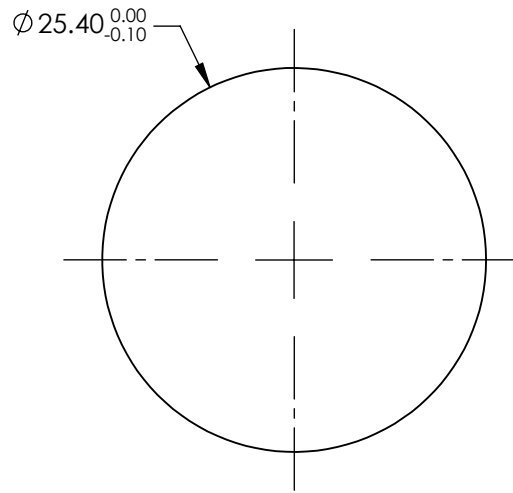


NOTES:

1. SUBSTRATE: FUSED SILICA
2. RoHS: COMPLIANT
3. SURFACE S2 TO BE PARALLEL TO SURFACE S1 TO WITHIN <3 ARCMIN
4. COATING (APPLY ACROSS COATING APERTURE)
S1 & S2: R(ABS) > 99.9% @ 355nm @ 45° AOI

DAMAGE THRESHOLD,
PULSED: 7.5 J/cm² @ 355nm, 20ns, 20Hz

 FINE GRIND SURFACE



**FOR INFORMATION ONLY:
DO NOT MANUFACTURE
PARTS TO THIS DRAWING**

SPECIFICATIONS SUBJECT TO CHANGE WITHOUT NOTICE
DIMENSIONS ARE FOR REFERENCE ONLY

 **Edmund Optics®**

	S1	S2
SHAPE	PLANO	PLANO
SURFACE QUALITY	10-5	COMMERCIAL POLISH
CLEAR APERTURE	Ø21.59	N/A
BEVEL	PROTECTIVE AS NEEDED	PROTECTIVE AS NEEDED



ALL DIMS IN

mm

TITLE

355nm, 45°, 25.4mm DIA., 6.35mm THICK,
Nd:YAG IBS LASER LINE MIRROR

DWG NO

34838

SHEET
1 OF 1