

NOTES:

1. SUBSTRATE: UV FUSED SILICA
2. COATING SPEC (APPLY ACROSS CLEAR APERTURE):

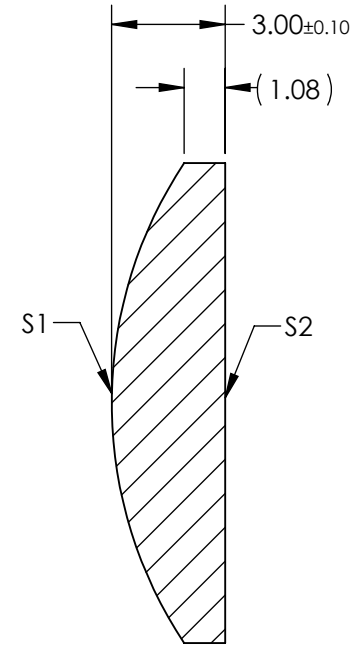
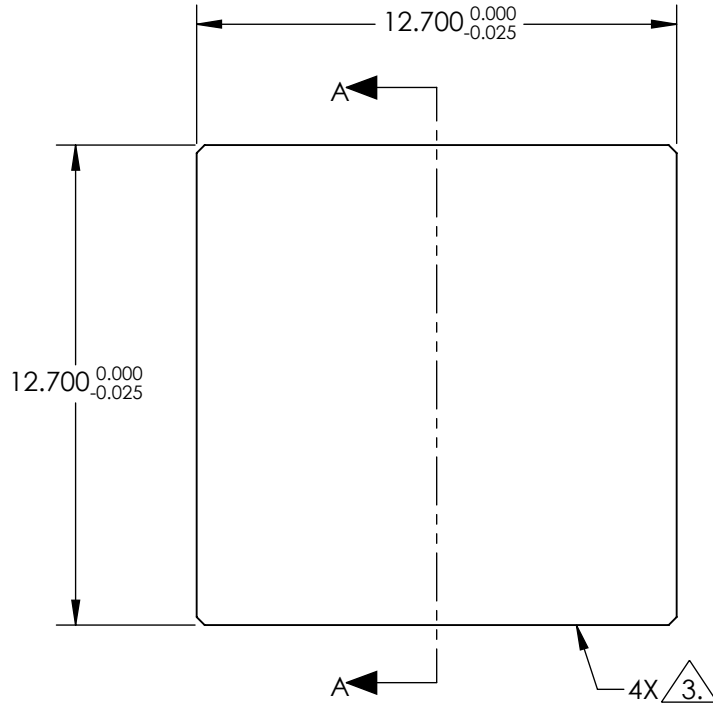
S1 & S2: NONE

3. FINE GRIND SURFACE

4. POWER, IRREGULARITY, AND SURFACE QUALITY SPECIFICATIONS  
APPLY ACROSS CLEAR APERTURE

5. ROHS COMPLIANT

**FOR INFORMATION ONLY:  
DO NOT MANUFACTURE  
PARTS TO THIS DRAWING**



SECTION A-A

SPECIFICATIONS SUBJECT TO CHANGE WITHOUT NOTICE  
DIMENSIONS ARE FOR REFERENCE ONLY

	S1	S2
SHAPE	CONCAVE	INFINITY
SURFACE QUALITY	20-10	20-10
CLEAR APERTURE	11.43 x 11.43	11.43 x 11.43
BEVEL	PROTECTIVE AS NEEDED	PROTECTIVE AS NEEDED

THIRD ANGLE PROJECTION

ALL DIMS IN mm

Edmund Optics®

TITLE

12.7 x 12.7mm x 25mm FL, Uncoated Laser Grade PCX Cylinder Lens

DWG NO

13469

SHEET 1 OF 1