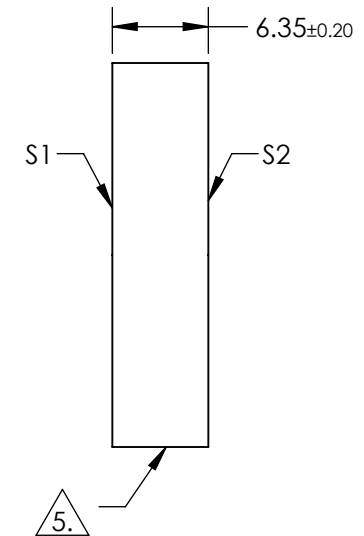
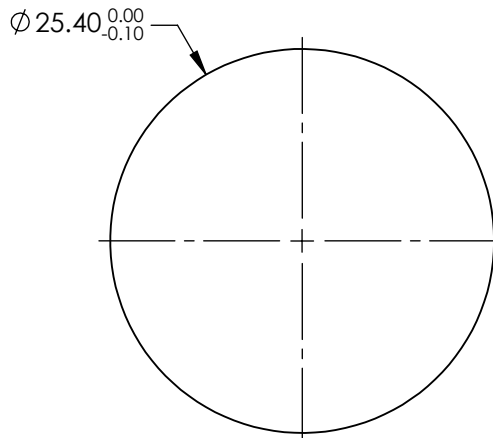


NOTES:

1. SUBSTRATE: FUSED SILICA
2. RoHS: COMPLIANT
3. SURFACE S2 TO BE PARALLEL TO SURFACE S1 TO WITHIN < 3 ARCMIN
4. COATING (APPLY ACROSS COATING APERTURE)
S1 & S2: R(ABS) < 0.10% @ 355nm @ 0° AOI

DAMAGE THRESHOLD,
PULSED: 7.5 J/cm² @ 355nm, 20ns, 20Hz

△ 5. FINE GRIND SURFACE



**FOR INFORMATION ONLY:
DO NOT MANUFACTURE
PARTS TO THIS DRAWING**

SPECIFICATIONS SUBJECT TO CHANGE WITHOUT NOTICE
DIMENSIONS ARE FOR REFERENCE ONLY

EO® Edmund Optics®

	S1	S2
SHAPE	PLANO	PLANO
SURFACE QUALITY	10-5	10-5
CLEAR APERTURE	Ø22.86	Ø22.86
BEVEL	PROTECTIVE AS NEEDED	PROTECTIVE AS NEEDED

THIRD ANGLE PROJECTION

ALL DIMS IN mm

TITLE	25.4mm DIA., 6.35mm THICK, 355nm, Nd:YAG IBS LASER LINE WINDOW		
DWG NO	12969	SHEET	1 OF 1