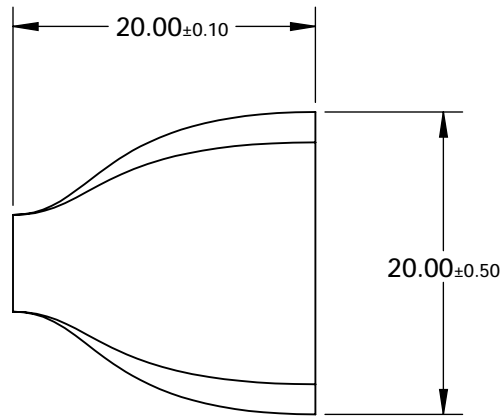
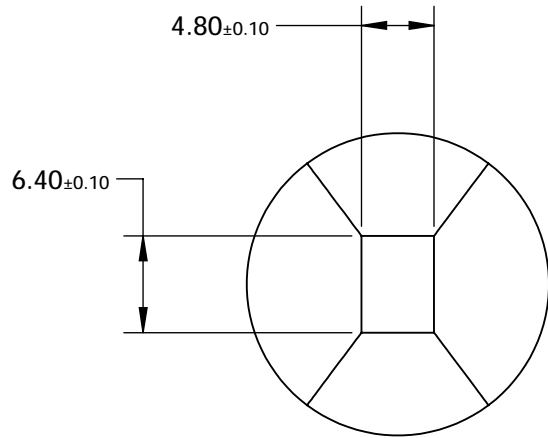


NOTES:

1. MATERIAL: SCHOTT 24 GLASS WITH EMA
2. CORE/CLAD RATIO: 70/30
3. RoHS: EXEMPT

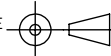


**FOR INFORMATION ONLY:
DO NOT MANUFACTURE
PARTS TO THIS DRAWING**

SPECIFICATIONS SUBJECT TO CHANGE WITHOUT NOTICE
DIMENSIONS ARE FOR REFERENCE ONLY

	VALUE
DISTORTION (%)	3.00
NUMERICAL APERTURE	1.00
RESOLUTION (lp/mm)	102
RESOLVING POWER	6.00

THIRD ANGLE
PROJECTION



ALL DIMS IN

mm



Edmund Optics®

TITLE

Fiber Optic Taper For 18mm to 1/2" Sensor

DWG NO

55136

SHEET
1 OF 1