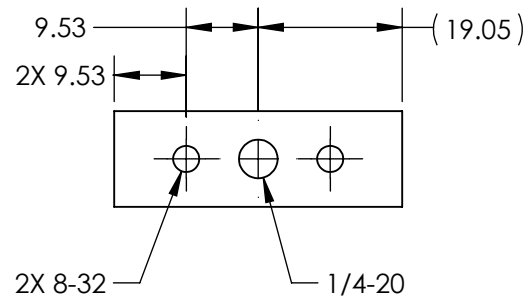
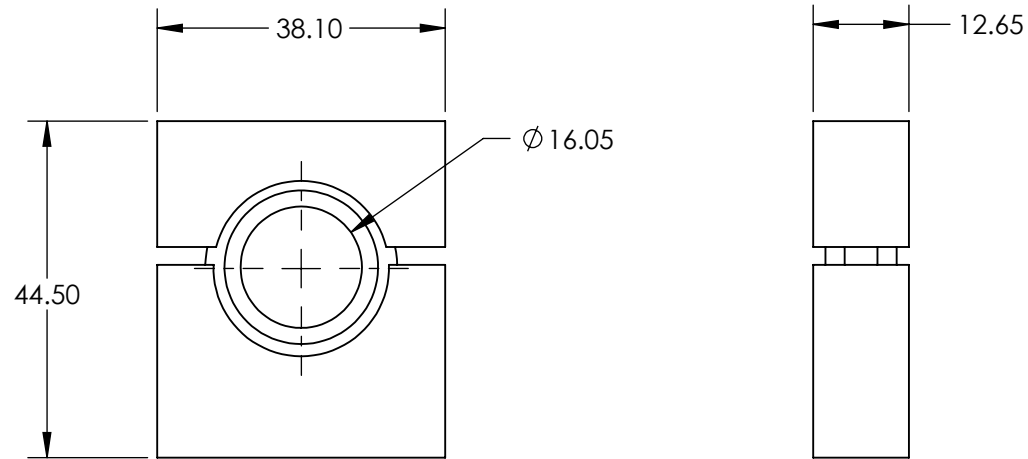
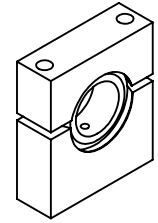


NOTES:

1. COMPATIBLE DIODE MODULES: COMPACT LDM
2. COARSE ROTATION (°): ±15
3. CONSTRUCTION: BLACK DELRIN (R), CLAMOS, BRASS ALLOY BALL
4. DIAMETER OF COMPATIBLE LASER (mm): 16



SPECIFICATIONS SUBJECT TO CHANGE WITHOUT NOTICE  
DIMENSIONS ARE FOR REFERENCE ONLY

**FOR INFORMATION ONLY:  
DO NOT MANUFACTURE  
PARTS TO THIS DRAWING**

**EO**® Edmund Optics®

THIRD ANGLE PROJECTION		TITLE	16mm Dia., Laser Diode Mount	
ALL DIMS IN	mm	DWG NO	53264	SHEET 1 OF 1