

# TECHSPEC® NIR DRACONIS™ BROADBAND BEAM EXPANDERS

750-1100nm • 3X #59-134

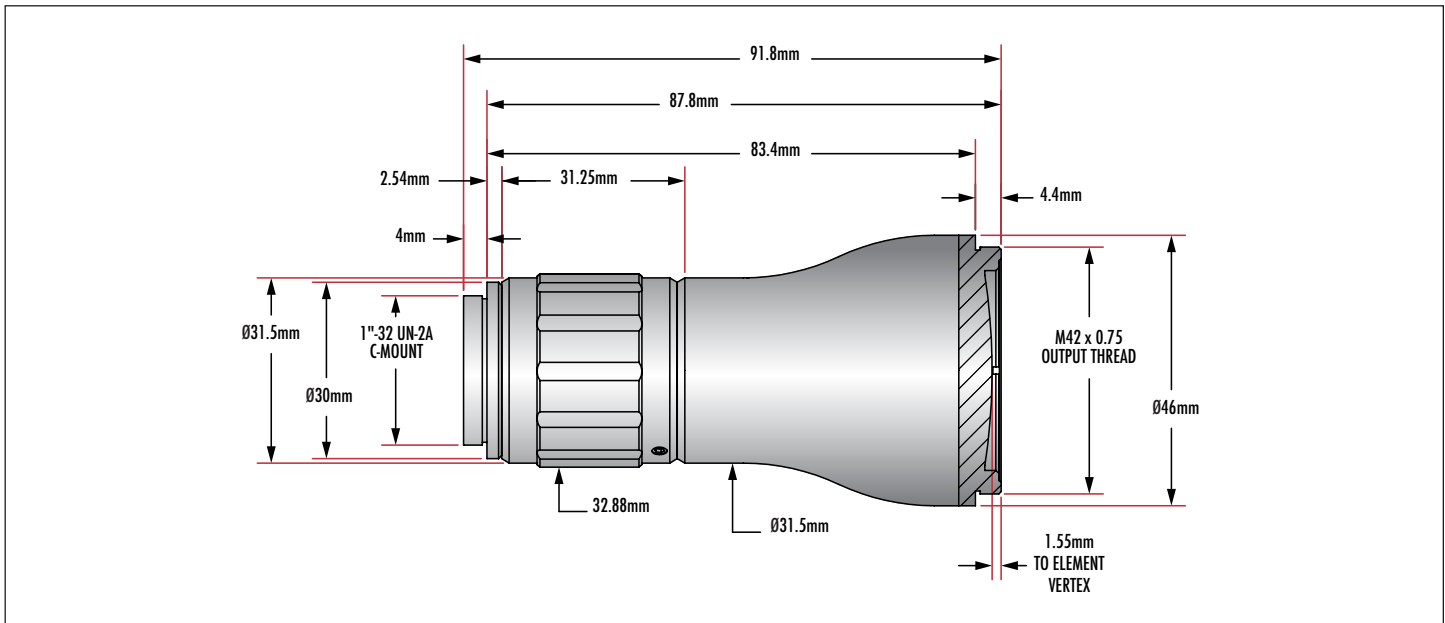
- $\lambda/10$  Transmitted Wavefront
- Collimation Adjustment Using Non-Rotating Optics Minimizes Beam Wander
- Broadband Designs Accommodate Multiple Laser Wavelengths or Tunable Lasers
- TECHSPEC® Draconis™ Nd:YAG Laser Line Beam Expanders Also Available



TECHSPEC® Draconis™ Broadband Beam Expanders feature high performance optical designs that have been optimized and tested for broadband use. These beam expanders eliminate the need for critical alignment due to their diffraction-limited performance over large input beam diameters and wide acceptance angles. Their broadband designs enable use with multiple laser lines or tunable lasers, reducing the number of beam expanders required for your optical system. Additionally, the optical design ensures internal focusing of ghost images is not present, which allows compatibility with high power lasers. Focus adjustment is also provided, which can be used for divergence correction or collimation. TECHSPEC® Draconis™ Broadband Beam Expanders C and T input/output mounting threads are compatible with Edmund Optics' line of threaded mounting components, or mounting can be achieved using an optional mounting clamp.

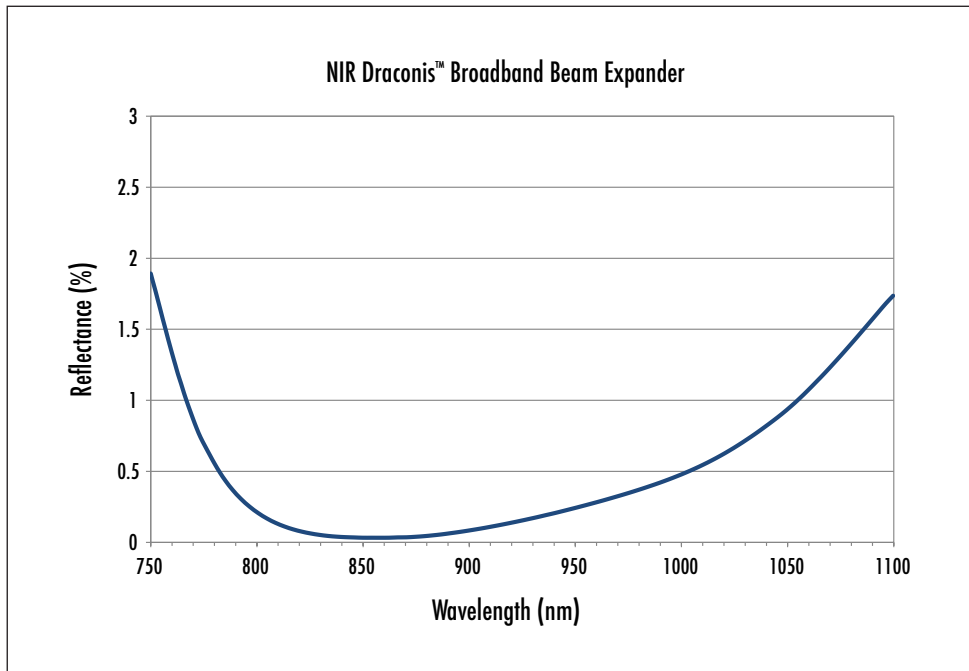
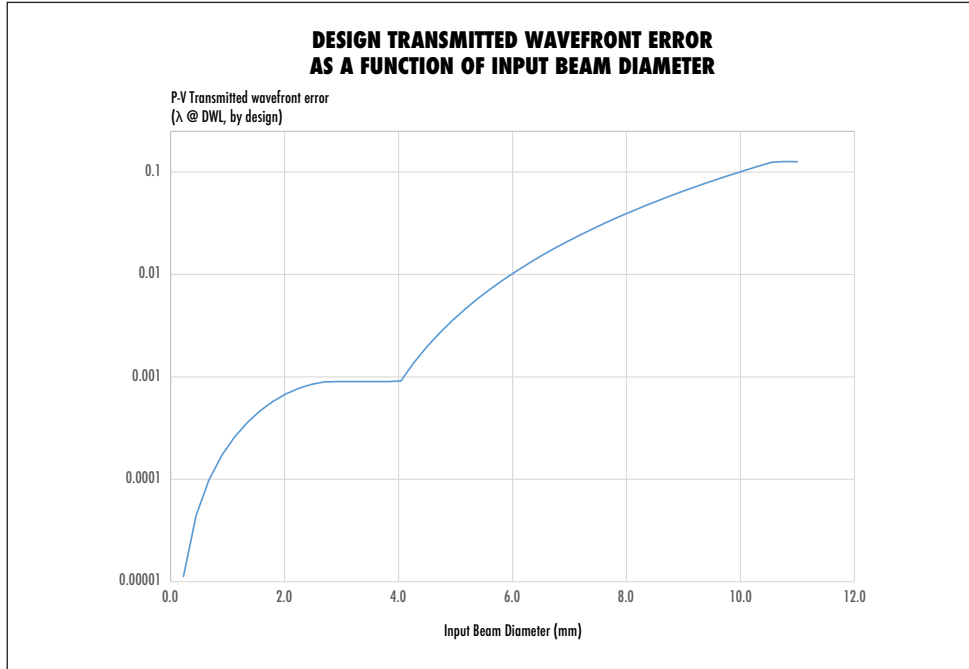
For more information on beam expanders and their application, please see online for our Technical Resource: [Application Note on Beam Expanders](#)

<b>Wavelength Range:</b>	750-1100nm
<b>Expansion Power:</b>	3X
<b>Entrance Aperture:</b>	11mm
<b>Exit Aperture:</b>	33mm
<b>Transmitted Wavefront, P-V:</b>	$\lambda/10$ @ 785nm @ 1mm Input Beam $\lambda/4$ @ 785nm @ 4mm Input Beam
<b>Mounting Threads:</b>	Input: Male C-Thread (1" x 32 TPI) Output: Male T2-Thread (M42 x 0.75)
<b>Substrate:</b>	Fused Silica
<b>Housing Diameter:</b>	46mm
<b>Length:</b>	88mm
<b>Angle of Incidence:</b>	0°
<b>Coating:</b>	BBAR (750-1100nm)
<b>Coating Specification:</b>	$R_{avg} < 0.5\%$ @ 780 - 950nm $R_{avg} < 1.0\%$ @ 750 - 1100nm
<b>Divergence Adjustment:</b>	Non-Rotating Optics



© COPYRIGHT 2019 EDMUND OPTICS, INC. ALL RIGHTS RESERVED

**TECHSPEC® NIR DRACONIS™**  
**BROADBAND BEAM EXPANDERS**  
 750-1100nm • 3X #59-134



© COPYRIGHT 2019 EDMUND OPTICS, INC. ALL RIGHTS RESERVED