

TECHSPEC® ARCTURUS™ HeNe BEAM EXPANDERS 450-750nm • 10X #55-578

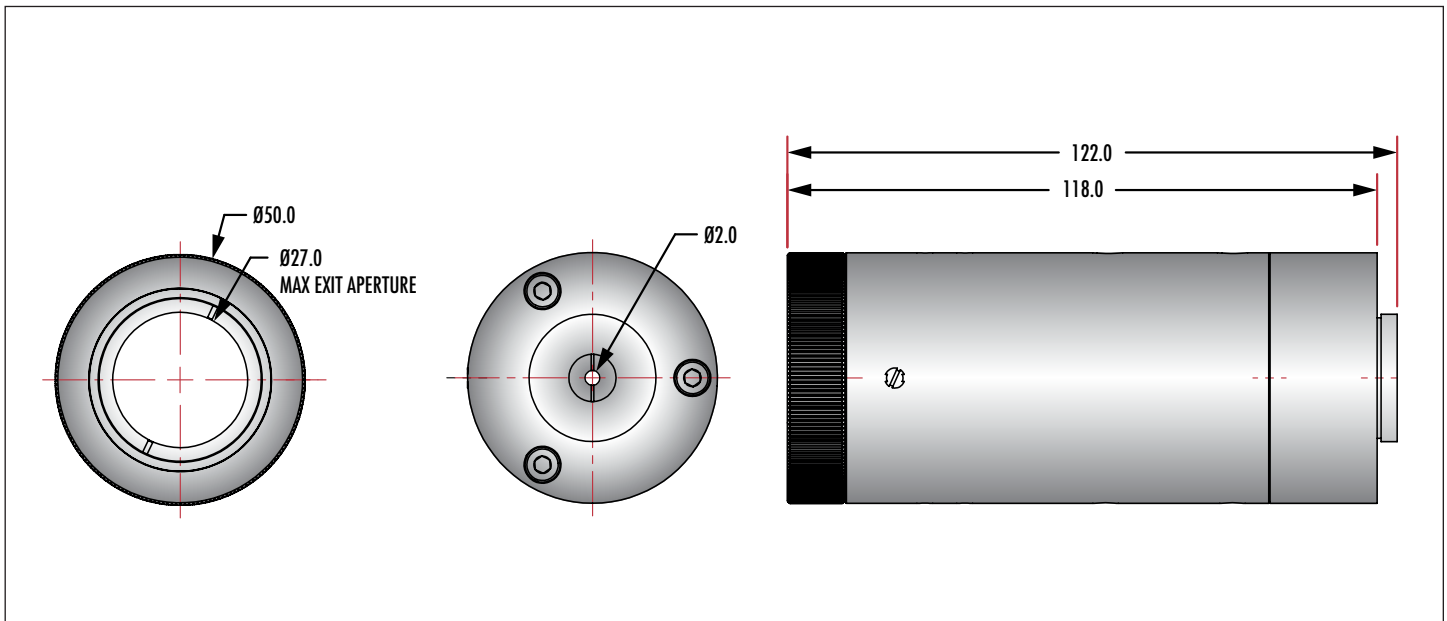
- Diffraction-Limited Optical Design
- Focus Mechanism with Non-Rotating Optics
- Metric (M6) and English (1/4-20) Mounting Holes



Arcturus™ HeNe Beam Expanders offer high performance optical designs packaged in a precise opto-mechanical platform. Two full rotations of the focus knurl provide smooth movement for the optics in order to vary the output from collimated to the minimum focus distance of 1.2 meters. The precise focusing mechanism keeps optics from rotating, which helps maintain bore sight accuracy and a minimally aberrated focused beam. Focus lock secures position. The beam expanders are easily secured to both metric and English threaded mounts. Four tapped holes (two M6 on 25mm centers and two 1/4-20 on 1" centers) are located near the middle of the assembly for mounting.

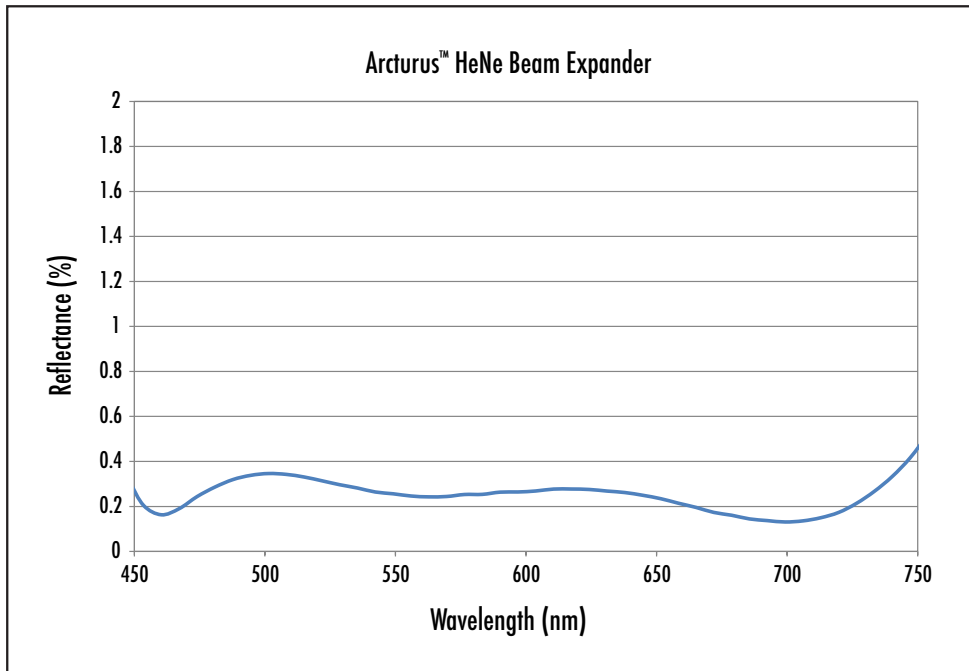
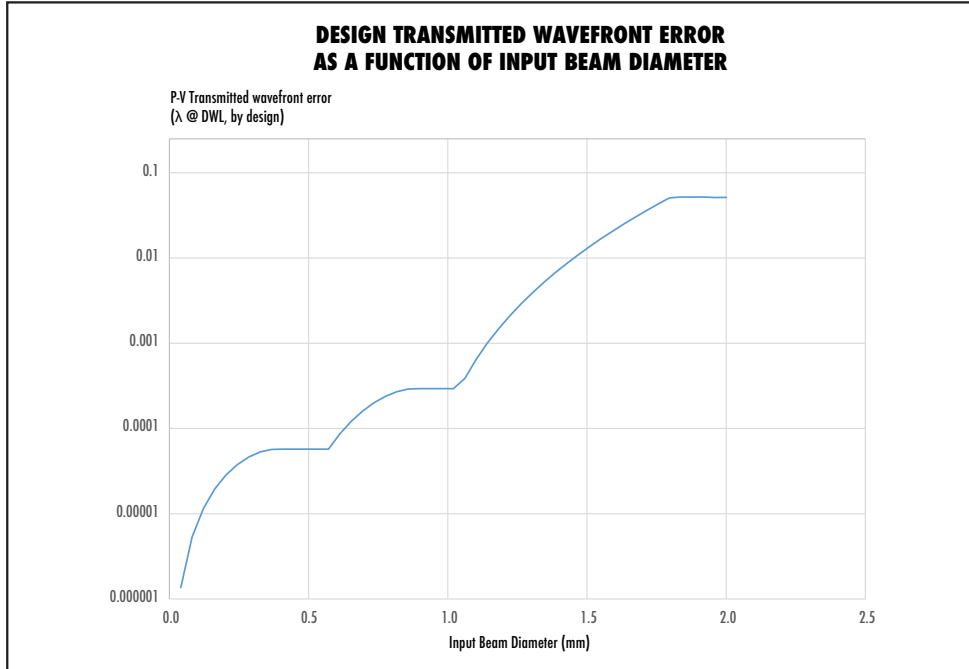
For more information on beam expanders and their application, please see online for our Technical Resource: [Application Note on Beam Expanders](#)

Wavelength Range:	450-750nm
Expansion Power:	10X
Entrance Aperture:	2mm
Exit Aperture:	27mm
Transmitted Wavefront, P-V:	$<\lambda/4$ @ 633nm @ 1mm Input Beam
Mounting Threads:	C-Mount
Substrate:	Optical Glass
Housing Diameter:	50mm
Length:	118mm
Coating:	BBAR (450-750nm)
Coating Specification:	$R_{obs} < 0.4\%$ @ 630 - 670nm $R_{avg} < 0.6\%$ @ 450 - 750nm
Divergence Adjustment:	Non-Rotating Optics



© COPYRIGHT 2018 EDMUND OPTICS, INC. ALL RIGHTS RESERVED

TECHSPEC® ARCTURUS™
HeNe BEAM EXPANDERS
 450-750nm • 10X #55-578



© COPYRIGHT 2019 EDMUND OPTICS, INC. ALL RIGHTS RESERVED