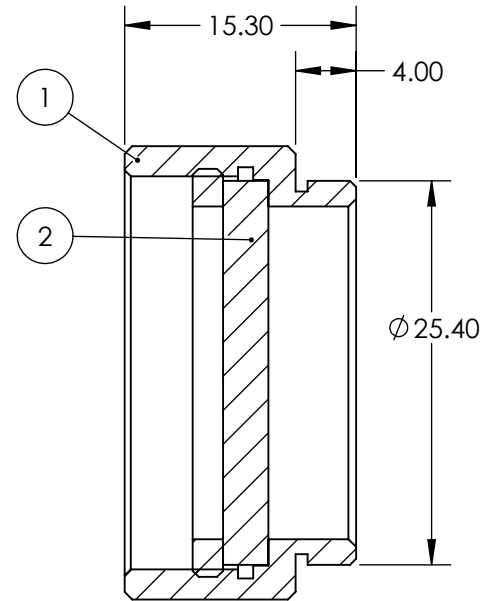
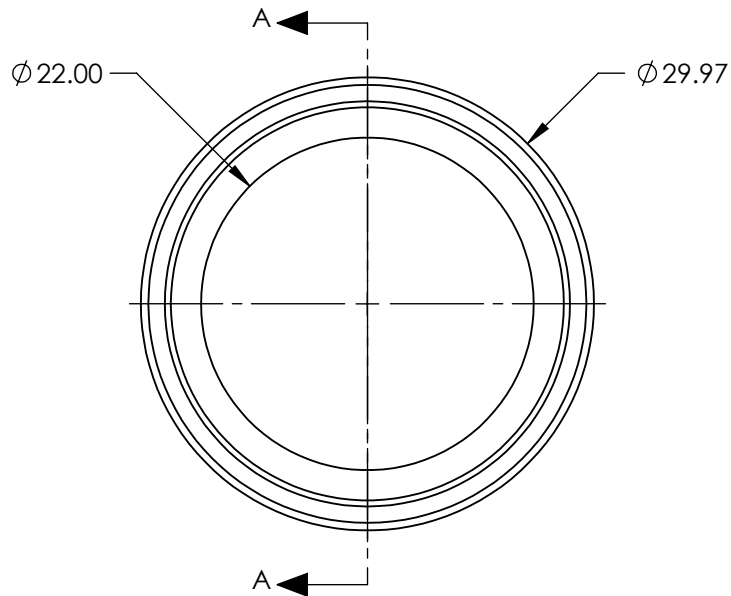


PART	PART #	MATERIAL
①	#66-054	HOYA R60
②	#56-353	BLACK ANODIZED ALUMINUM



SECTION A-A

**FOR INFORMATION ONLY:
DO NOT MANUFACTURE
PARTS TO THIS DRAWING**

SPECIFICATIONS SUBJECT TO CHANGE WITHOUT NOTICE
DIMENSIONS ARE FOR REFERENCE ONLY

SHAPE	PLANO
SPECTRAL TRANSMITTANCE (%)	93
PASSBAND LIMIT 1 (nm)	620
CUT-OFF POSITION (nm)	600±6
STOPBAND LIMIT (nm)	558
WAVELENGTH	VIS

THIRD ANGLE PROJECTION	
ALL DIMS IN	mm

EO® Edmund Optics®

TITLE	22mm CA, Hoya R60 (600nm), C-Mount Longpass Glass Color Filter	
DWG NO	13032	SHEET 1 OF 1