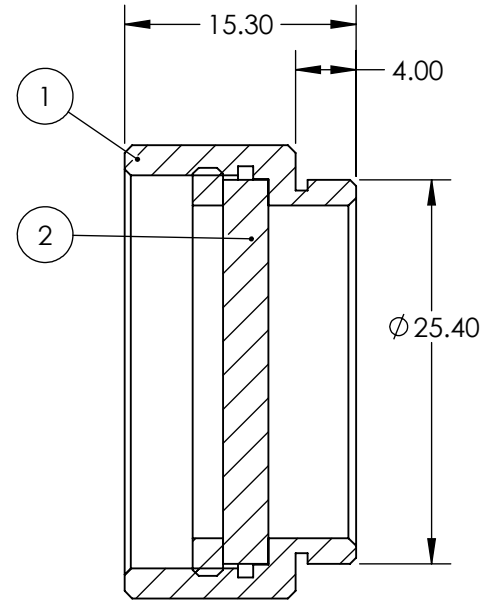
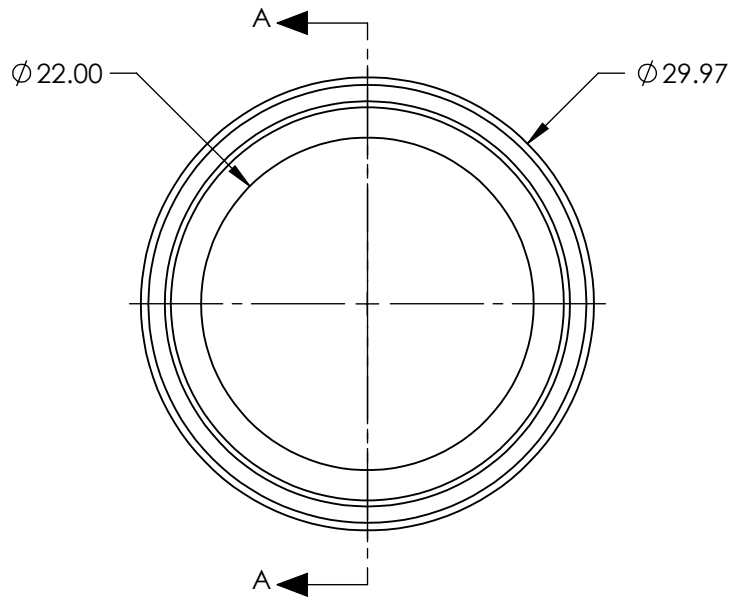


PART	PART #	MATERIAL
①	#46-059	SCHOTT OG530
②	#56-353	BLACK ANODIZED ALUMINUM



SECTION A-A

**FOR INFORMATION ONLY:  
DO NOT MANUFACTURE  
PARTS TO THIS DRAWING**

SPECIFICATIONS SUBJECT TO CHANGE WITHOUT NOTICE  
DIMENSIONS ARE FOR REFERENCE ONLY

SHAPE	PLANO
SPECTRAL TRANSMITTANCE (%)	93
PASSBAND LIMIT 1 (nm)	600
CUT-OFF POSITION (nm)	530±6
STOPBAND LIMIT (nm)	460
WAVELENGTH	VIS

THIRD ANGLE PROJECTION

ALL DIMS IN mm

Edmund Optics®

TITLE

22mm CA, SCHOTT OG530, C-Mount  
Longpass Glass Color Filter

DWG NO

13029

SHEET  
1 OF 1