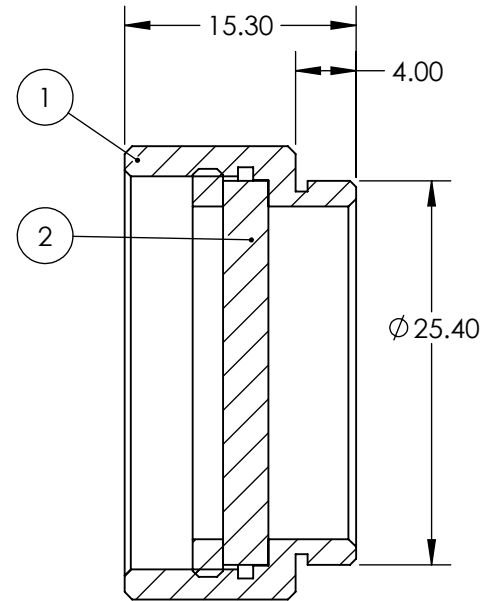
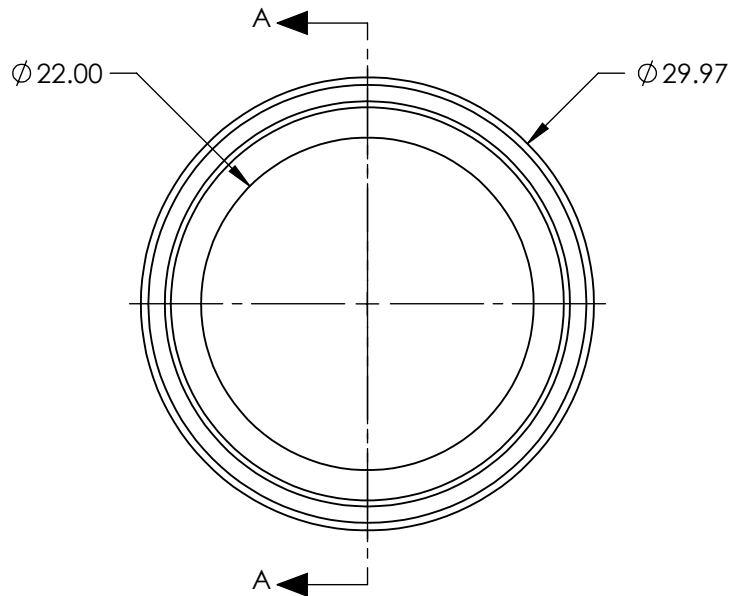


PART	PART #	MATERIAL
①	#32-753	SCHOTT GG495
②	#56-353	BLACK ANODIZED ALUMINUM



SECTION A-A

**FOR INFORMATION ONLY:
DO NOT MANUFACTURE
PARTS TO THIS DRAWING**

SPECIFICATIONS SUBJECT TO CHANGE WITHOUT NOTICE
DIMENSIONS ARE FOR REFERENCE ONLY

SHAPE	PLANO
SPECTRAL TRANSMITTANCE (%)	92
PASSBAND LIMIT 1 (nm)	560
CUT-OFF POSITION (nm)	495±6
STOPBAND LIMIT (nm)	430
WAVELENGTH	VIS

THIRD ANGLE PROJECTION

ALL DIMS IN mm

Edmund Optics®

TITLE

22mm CA, SCHOTT GG495, C-Mount
Longpass Glass Color Filter

DWG NO

13028

SHEET
1 OF 1