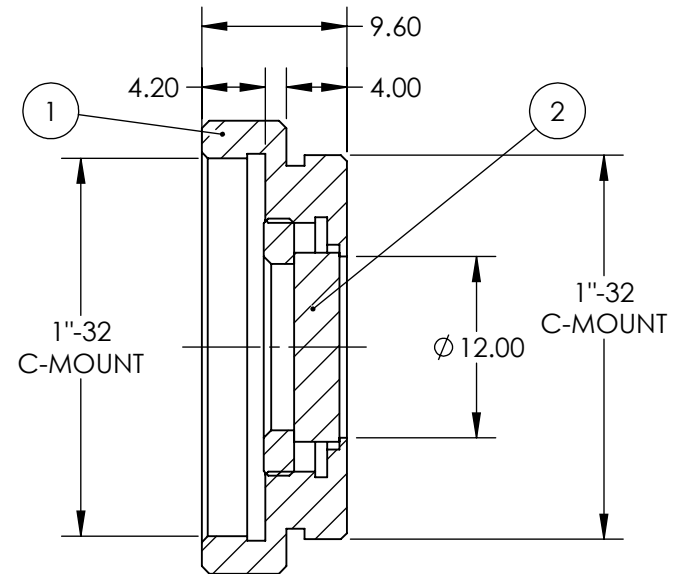
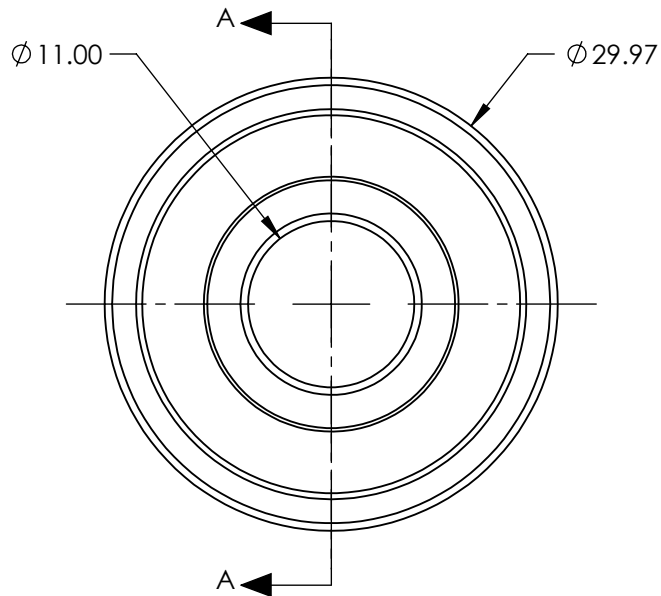


| PART | PART # | MATERIAL |
|------|---------|-------------------------|
| ① | #54-658 | SCHOTT RG630 |
| ② | #55-246 | BLACK ANODIZED ALUMINUM |



SECTION A-A

**FOR INFORMATION ONLY:
DO NOT MANUFACTURE
PARTS TO THIS DRAWING**

SPECIFICATIONS SUBJECT TO CHANGE WITHOUT NOTICE
DIMENSIONS ARE FOR REFERENCE ONLY

| | |
|----------------------------|-------|
| SHAPE | PLANO |
| SPECTRAL TRANSMITTANCE (%) | 94 |
| PASSBAND LIMIT 1 (nm) | 710 |
| CUT-OFF POSITION (nm) | 630±6 |
| STOPBAND LIMIT (nm) | 540 |
| WAVELENGTH | VIS |

| | |
|------------------------|----|
| THIRD ANGLE PROJECTION | |
| ALL DIMS IN | mm |

EO® Edmund Optics®

| | | |
|--------|---|-----------------|
| TITLE | 12mm CA, SCHOTT RG630, C-Mount Longpass Glass Color Filter | |
| DWG NO | 12951 | SHEET 1 OF 1 |