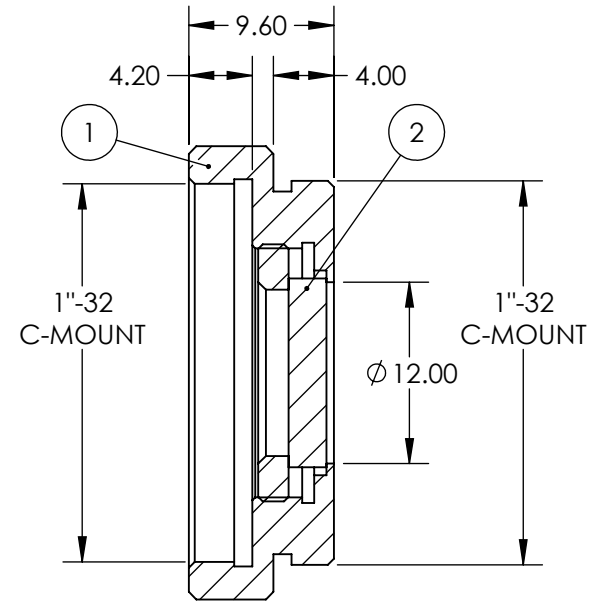
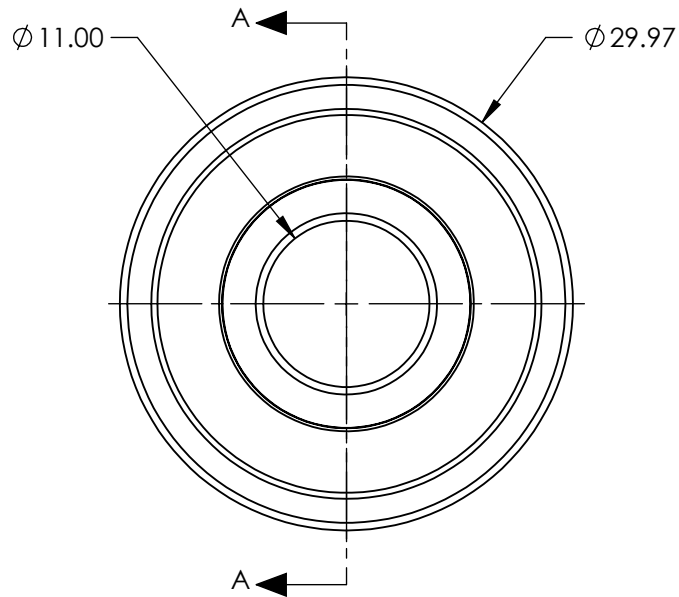


PART	PART #	MATERIAL
①	#66-044	Hoya R62
②	#55-246	BLACK ANODIZED ALUMINUM



SECTION A-A

**FOR INFORMATION ONLY:  
DO NOT MANUFACTURE  
PARTS TO THIS DRAWING**

SPECIFICATIONS SUBJECT TO CHANGE WITHOUT NOTICE  
DIMENSIONS ARE FOR REFERENCE ONLY

SHAPE	PLANO
SPECTRAL TRANSMITTANCE (%)	96
PASSBAND LIMIT 1 (nm)	650
CUT-OFF POSITION (nm)	620±6
STOPBAND LIMIT (nm)	578
WAVELENGTH	VIS

THIRD ANGLE PROJECTION

ALL DIMS IN

mm

 **Edmund Optics®**

TITLE

12mm CA, Hoya R62 (620nm), C-Mount  
Longpass Glass Color Filter

DWG NO

12950

SHEET  
1 OF 1