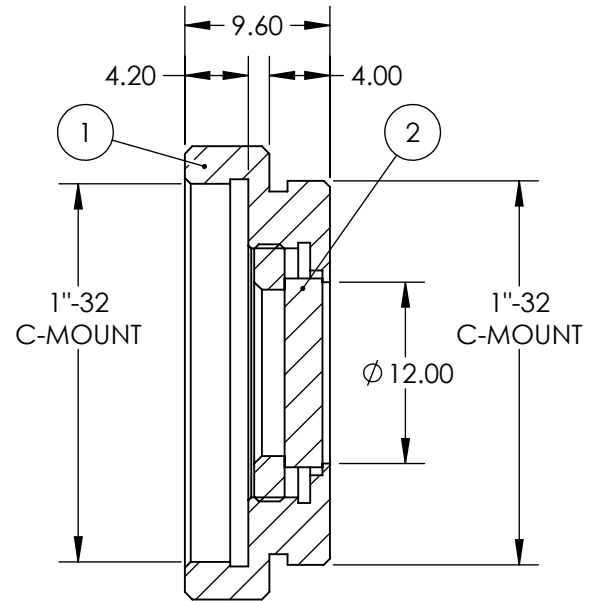
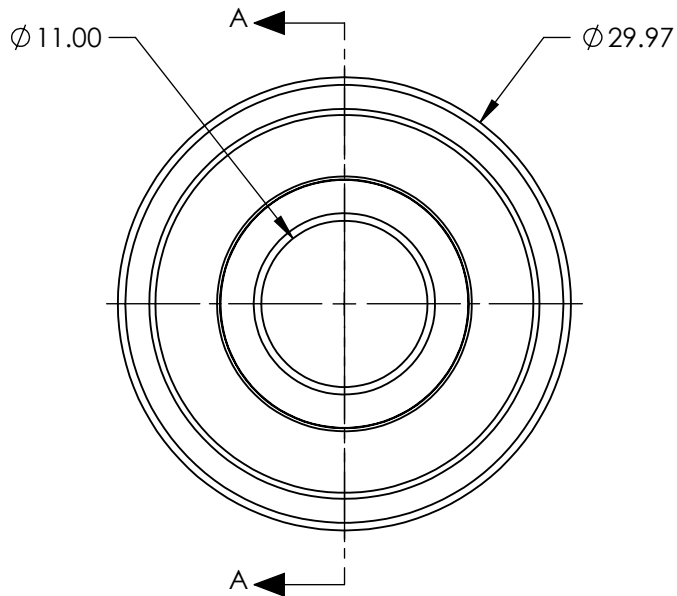


PART	PART #	MATERIAL
①	#66-043	Hoya R60
②	#55-246	BLACK ANODIZED ALUMINUM



SECTION A-A

**FOR INFORMATION ONLY:
DO NOT MANUFACTURE
PARTS TO THIS DRAWING**

SPECIFICATIONS SUBJECT TO CHANGE WITHOUT NOTICE
DIMENSIONS ARE FOR REFERENCE ONLY

SHAPE	PLANO
SPECTRAL TRANSMITTANCE (%)	93
PASSBAND LIMIT 1 (nm)	620
CUT-OFF POSITION (nm)	600±6
STOPBAND LIMIT (nm)	558
WAVELENGTH	VIS

THIRD ANGLE PROJECTION

ALL DIMS IN mm

Edmund Optics®

TITLE

12mm CA, Hoya R60 (600nm), C-Mount
Longpass Glass Color Filter

DWG NO

12949

SHEET
1 OF 1