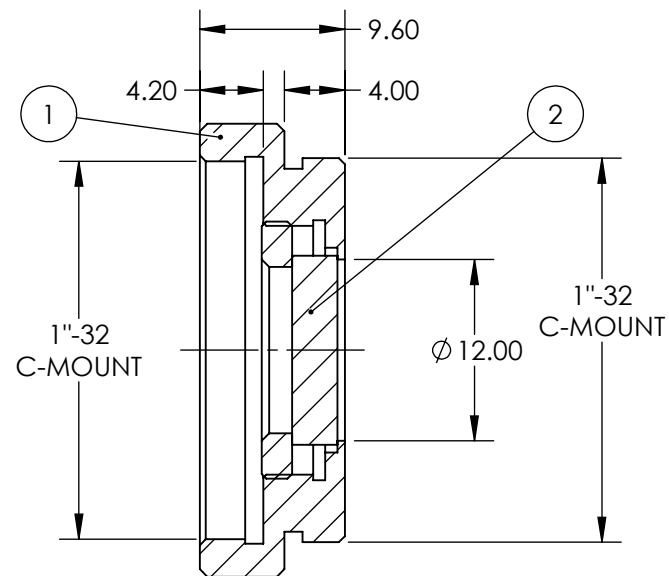
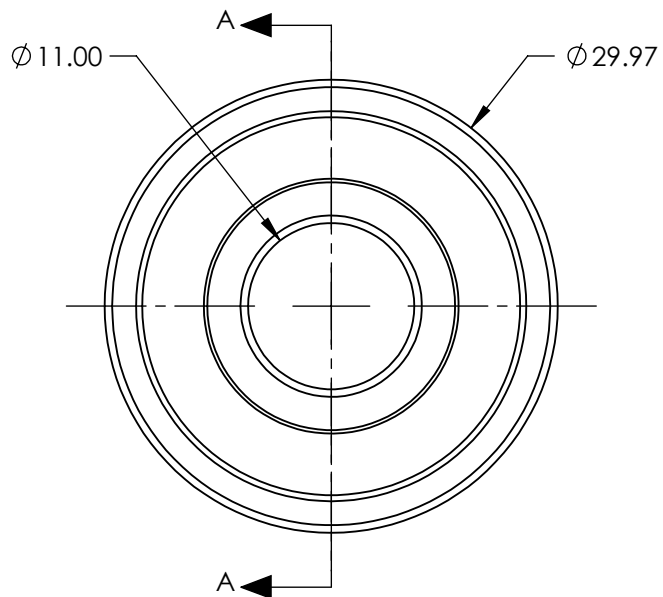


PART	PART #	MATERIAL
①	#46-425	SCHOTT GG420
②	#55-246	BLACK ANODIZED ALUMINUM



SECTION A-A

**FOR INFORMATION ONLY:
DO NOT MANUFACTURE
PARTS TO THIS DRAWING**

SPECIFICATIONS SUBJECT TO CHANGE WITHOUT NOTICE
DIMENSIONS ARE FOR REFERENCE ONLY

SHAPE	PLANO
SPECTRAL TRANSMITTANCE (%)	93
PASSBAND LIMIT 1 (nm)	530
CUT-OFF POSITION (nm)	420±6
STOPBAND LIMIT (nm)	360
WAVELENGTH	VIS



ALL DIMS IN

mm



Edmund Optics®

TITLE

12mm CA, SCHOTT GG420, C-Mount
Longpass Glass Color Filter

DWG NO

12945

SHEET
1 OF 1