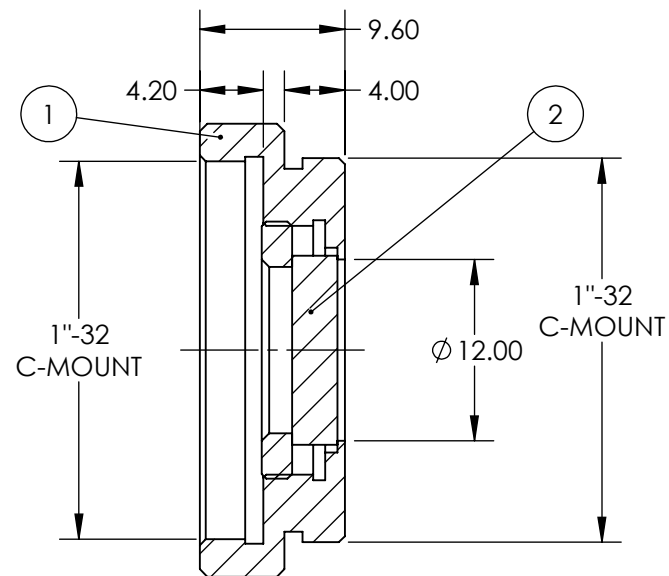
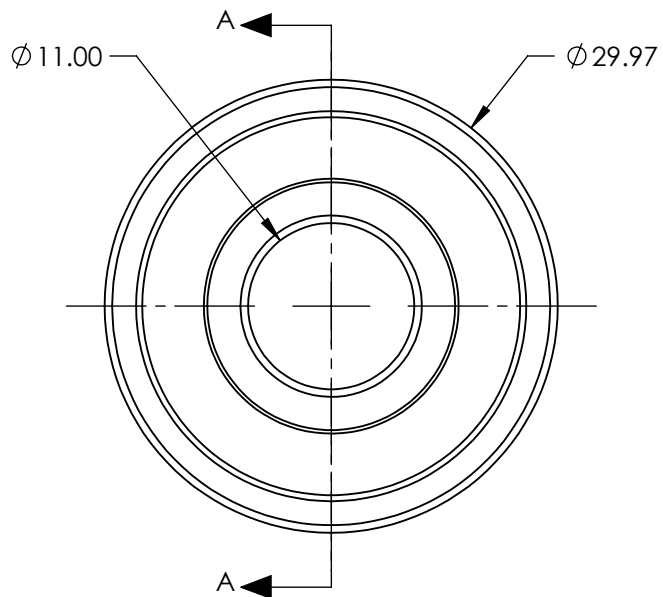


PART	PART #	MATERIAL
①	#46-419	SCHOTT N-WG320
②	#55-246	BLACK ANODIZED ALUMINUM



SECTION A-A

**FOR INFORMATION ONLY:  
DO NOT MANUFACTURE  
PARTS TO THIS DRAWING**

SPECIFICATIONS SUBJECT TO CHANGE WITHOUT NOTICE  
DIMENSIONS ARE FOR REFERENCE ONLY

SHAPE	PLANO
SPECTRAL TRANSMITTANCE (%)	92
PASSBAND LIMIT 1 (nm)	470
CUT-OFF POSITION (nm)	320±6
STOPBAND LIMIT (nm)	280
WAVELENGTH	UV



ALL DIMS IN

mm

**EO**® Edmund Optics®

TITLE

12mm CA, SCHOTT N-WG320, C-Mount  
Longpass Glass Color Filter

DWG NO

12943

SHEET  
1 OF 1