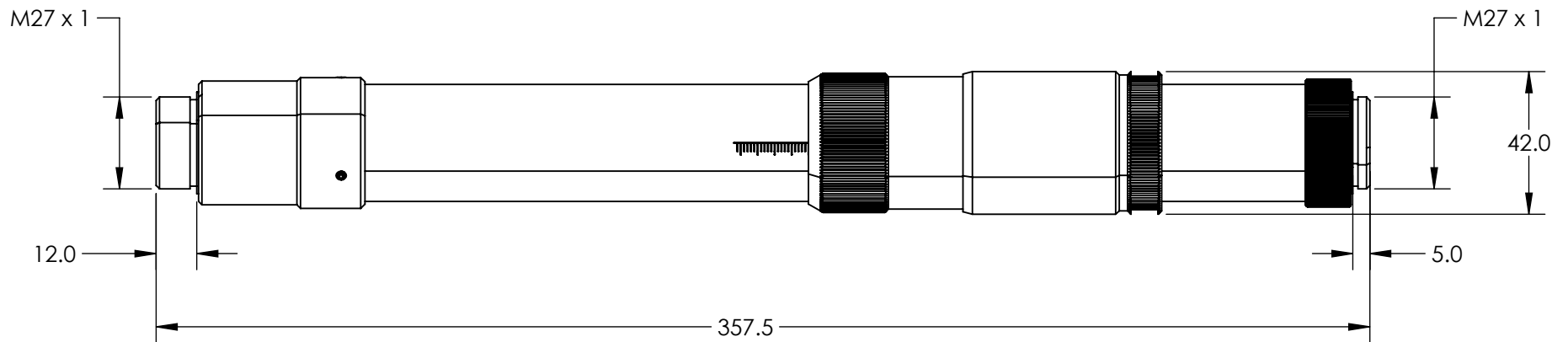
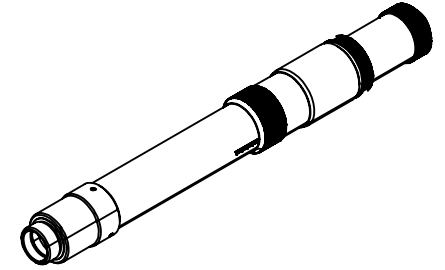


NOTES:

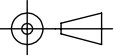
- 1. RoHS: NOT COMPLIANT

**FOR INFORMATION ONLY:
DO NOT MANUFACTURE
PARTS TO THIS DRAWING**



SPECIFICATIONS SUBJECT TO CHANGE WITHOUT NOTICE
DIMENSIONS ARE FOR REFERENCE ONLY



	VALUE	THIRD ANGLE PROJECTION 		TITLE	Ti:Sapphire Flat Top Beam Shaper 12mm πShaper 12_12_TiS_HP	
DESIGN WAVELENGTH DWL (nm)	800	ALL DIMS IN	mm	DWG NO	14279	SHEET 1 OF 1
INPUT DIAMETER (mm)	Ø12.0 - 12.1 (1/e ²)					
WAVELENGTH RANGE (nm)	700 - 900					