

NOTES:

1. SUBSTRATE:  
FUSED SILICA
2. COATING (APPLY ACROSS CLEAR APERTURE)

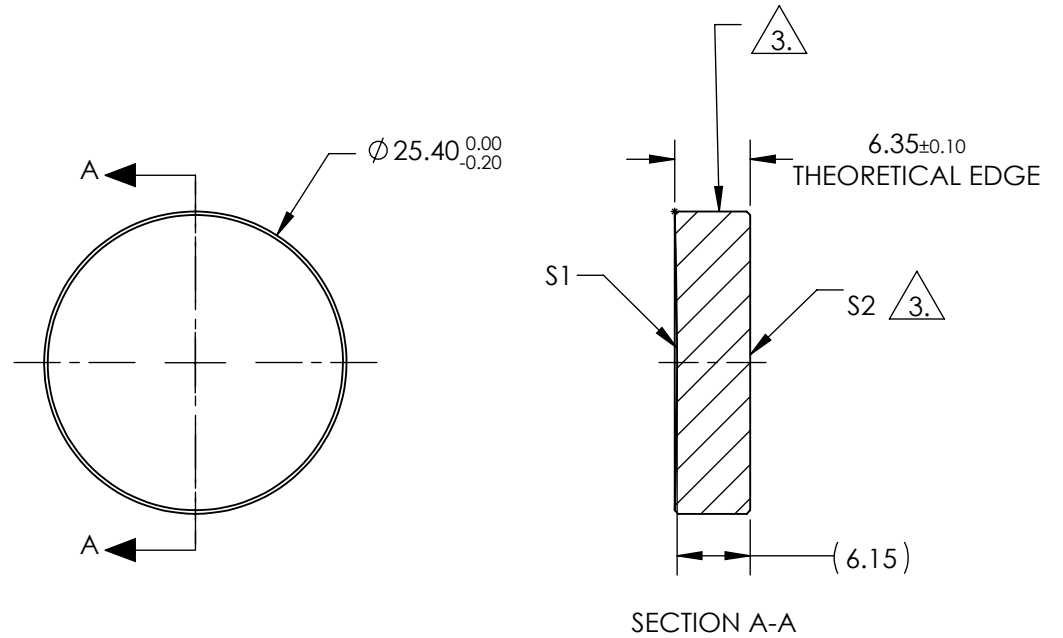
S1: Ultrafast-Enhanced Silver  
 R(AVG) > 99% @ 600 - 1000nm @ 0° AOI  
 Rs > 99% @ 540 - 1000nm @ 45° AOI  
 Rp > 98.5% @ 730 - 870nm @ 45° AOI  
 GDD: 0 ± 20fs² @ 600 - 1050nm

DAMAGE THRESHOLD,  
 PULSED: 0.3 J/cm² @ 800nm, 48fs, 1 pulse (typical)  
 0.16 J/cm² @ 800nm, 48fs, 100Hz, 1000 pulses (typical)

S2: NONE

3. FINE GRIND SURFACE

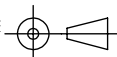
4. EFL (EFFECTIVE FOCAL LENGTH): 200.00mm



**FOR INFORMATION ONLY:  
 DO NOT MANUFACTURE  
 PARTS TO THIS DRAWING**

SPECIFICATIONS SUBJECT TO CHANGE WITHOUT NOTICE  
 DIMENSIONS ARE FOR REFERENCE ONLY

	S1	S2
SHAPE	CONCAVE	PLANO
RADIUS	400.00	INFINITY
SURFACE QUALITY	20-10	N/A
CLEAR APERTURE	80%	N/A
IRREGULARITY AT 632.8nm	λ/10	N/A
BEVEL	PROTECTIVE AS NEEDED	PROTECTIVE AS NEEDED

THIRD ANGLE PROJECTION 

ALL DIMS IN mm

 **Edmund Optics®**

TITLE: 25.4mm Dia. x 200mm EFL, Ultrafast-Enhanced Silver Concave Laser Mirror

DWG NO: 13066

SHEET 1 OF 1