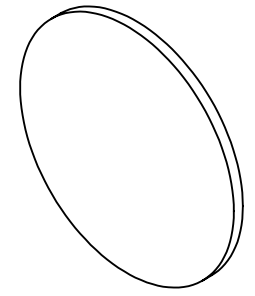


NOTES:

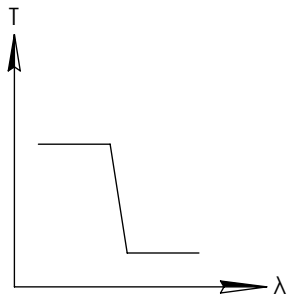
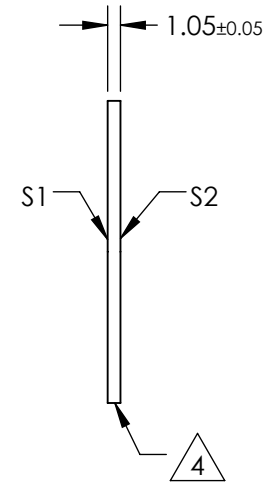
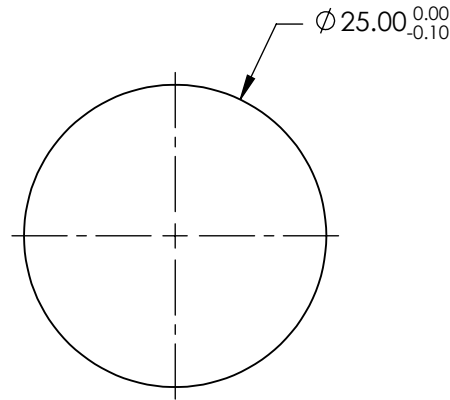
**FOR INFORMATION ONLY:  
DO NOT MANUFACTURE  
PARTS TO THIS DRAWING**

1. SUBSTRATE
2. SURFACE S2 TO BE PARALLEL WITH SURFACE S1 TO WITHIN 5 arcsec
3. COATING (APPLY ACROSS COATING APERTURE)  
PERFORMANCE SPECIFICATIONS:  
 T(avg): >85% FROM 572 - 1056nm FOR RANDOM POLARIZATION @ 45° AOI  
 T(abs): >80% FROM 572 - 1056nm FOR ALL POLARIZATIONS @ 45° AOI  
 R(avg): >97% FROM 1155 - 1430nm FOR RANDOM POLARIZATION @ 45° AOI  
 R(abs): >95% FROM 1155 - 1430nm FOR ALL POLARIZATIONS @ 45° AOI  
 T(abs): = 50% 1100nm @ 45° AOI  
  
 GDD:  $80 \pm 30\text{fs}^2$  @ 750 - 1056nm  
 $0 \pm 80\text{fs}^2$  @ 600 - 1056nm  
  
 S1: HARD COATED  
 S2: SINGLE LAYER MgF2



4. FINE GRIND SURFACE

5. POWER, IRREGULARITY, AND SURFACE QUALITY SPECIFICATIONS  
APPLY ACROSS CLEAR APERTURE
6. TRANSMITTED WAVEFRONT DISTORTION RMS@ 632.8nm  $\leq \frac{1}{4} \lambda$
7. ROHS COMPLIANT

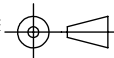


SHORTPASS FILTER

SPECIFICATIONS SUBJECT TO CHANGE WITHOUT NOTICE  
DIMENSIONS ARE FOR REFERENCE ONLY

	S1	S2
SHAPE	PLANO	PLANO
SURFACE QUALITY	40-20	40-20
CLEAR APERTURE	Ø22.00	Ø22.00
COATING APERTURE	Ø24.00	Ø24.00
BEVEL	PROTECTIVE AS NEEDED	PROTECTIVE AS NEEDED

THIRD ANGLE PROJECTION



ALL DIMS IN

mm

**EO**® Edmund Optics®

TITLE

1100nm, 25mm Diameter, Low GDD Dichroic Shortpass Ultrafast Filter

DWG NO

14033

SHEET  
1 OF 1