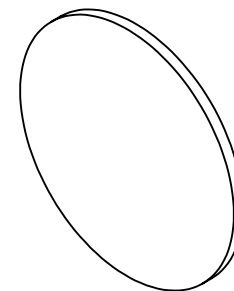


NOTES:

**FOR INFORMATION ONLY:  
DO NOT MANUFACTURE  
PARTS TO THIS DRAWING**



1. SUBSTRATE
2. SURFACE S2 TO BE PARALLEL WITH SURFACE S1 TO WITHIN 5 arcsec

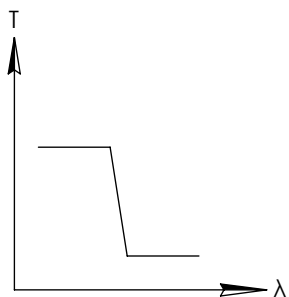
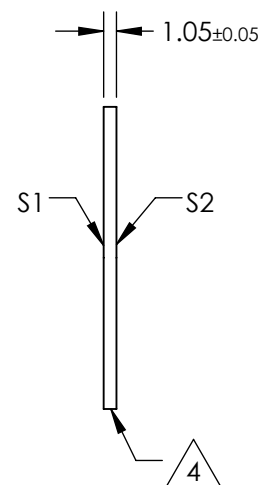
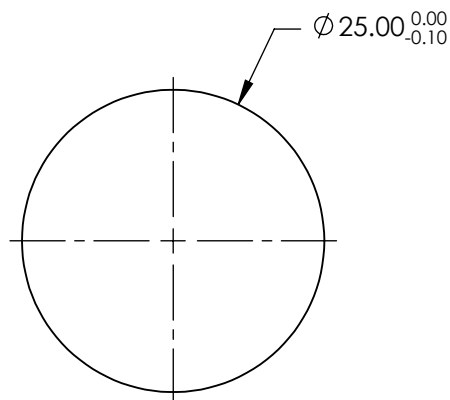
3. COATING (APPLY ACROSS COATING APERTURE)  
PERFORMANCE SPECIFICATIONS:  
T(avg): >85% FROM 465 - 865nm FOR RANDOM POLARIZATION @ 45° AOI  
T(abs): >80% FROM 465 - 865nm FOR ALL POLARIZATIONS @ 45° AOI  
R(avg): >97% FROM 960 - 1170nm FOR RANDOM POLARIZATION @ 45° AOI  
R(abs): >95% FROM 960 - 1170nm FOR ALL POLARIZATIONS @ 45° AOI  
T(abs): = 50% 900nm @ 45° AOI

GDD:  $80 \pm 30\text{fs}^2$  @ 610 - 865nm  
 $120 \pm 80\text{fs}^2$  @ 465 - 865nm

S1: HARD COATED  
S2: SINGLE LAYER MgF2

FINE GRIND SURFACE

5. POWER, IRREGULARITY, AND SURFACE QUALITY SPECIFICATIONS  
APPLY ACROSS CLEAR APERTURE
6. TRANSMITTED WAVEFRONT DISTORTION RMS@ 632.8nm  $\leq 1/4 \lambda$
7. ROHS COMPLIANT



SHORTPASS FILTER

SPECIFICATIONS SUBJECT TO CHANGE WITHOUT NOTICE  
DIMENSIONS ARE FOR REFERENCE ONLY

	S1	S2
SHAPE	PLANO	PLANO
SURFACE QUALITY	40-20	40-20
CLEAR APERTURE	Ø22.00	Ø22.00
COATING APERTURE	Ø24.00	Ø24.00
BEVEL	PROTECTIVE AS NEEDED	PROTECTIVE AS NEEDED

Edmund Optics®

THIRD ANGLE PROJECTION

TITLE 900nm, 25mm Diameter, Low GDD Dichroic Shortpass Ultrafast Filter

ALL DIMS IN mm DWG NO 14006 SHEET 1 OF 1