

NOTES:

**FOR INFORMATION ONLY:
DO NOT MANUFACTURE
PARTS TO THIS DRAWING**

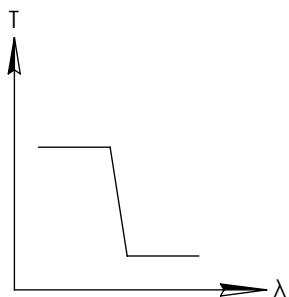
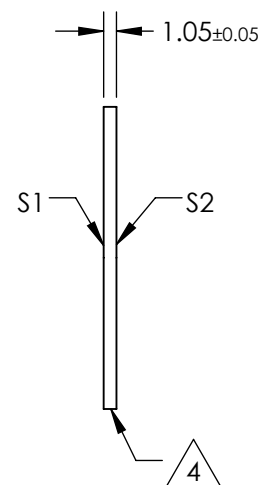
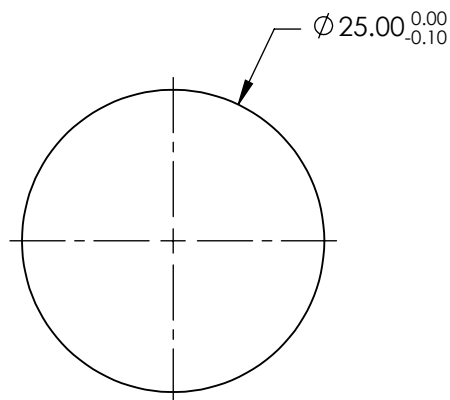
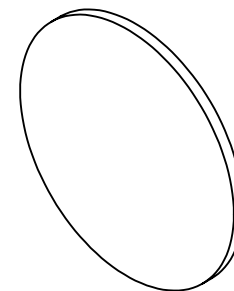
1. SUBSTRATE
2. SURFACE S2 TO BE PARALLEL WITH SURFACE S1 TO WITHIN 5 arcsec
3. COATING (APPLY ACROSS COATING APERTURE)
PERFORMANCE SPECIFICATIONS:
 T(avg): >85% FROM 325 - 430nm FOR RANDOM POLARIZATION @ 45° AOI
 T(abs): >80% FROM 325 - 430nm FOR ALL POLARIZATIONS @ 45° AOI
 R(avg): >97% FROM 470 - 545nm FOR RANDOM POLARIZATION @ 45° AOI
 R(abs): >95% FROM 470 - 545nm FOR ALL POLARIZATIONS @ 45° AOI
 T(abs): = 50% 450nm @ 45° AOI

GDD: $80 \pm 30\text{fs}^2$ @ 360 - 425nm
 $120 \pm 80\text{fs}^2$ @ 325 - 480nm

S1: HARD COATED
 S2: SINGLE LAYER MgF2

 FINE GRIND SURFACE

5. POWER, IRREGULARITY, AND SURFACE QUALITY SPECIFICATIONS
APPLY ACROSS CLEAR APERTURE
6. TRANSMITTED WAVEFRONT DISTORTION RMS@ 632.8nm $\leq 1/4 \lambda$
7. ROHS COMPLIANT

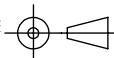


SHORTPASS FILTER

SPECIFICATIONS SUBJECT TO CHANGE WITHOUT NOTICE
 DIMENSIONS ARE FOR REFERENCE ONLY

	S1	S2
SHAPE	PLANO	PLANO
SURFACE QUALITY	40-20	40-20
CLEAR APERTURE	$\varnothing 22.00$	$\varnothing 22.00$
COATING APERTURE	$\varnothing 24.00$	$\varnothing 24.00$
BEVEL	PROTECTIVE AS NEEDED	PROTECTIVE AS NEEDED

THIRD ANGLE PROJECTION



ALL DIMS IN

mm

 **Edmund Optics®**

TITLE 450nm, 25mm Diameter, Low GDD Dichroic Shortpass Ultrafast Filter

DWG NO

13996

SHEET
1 OF 1