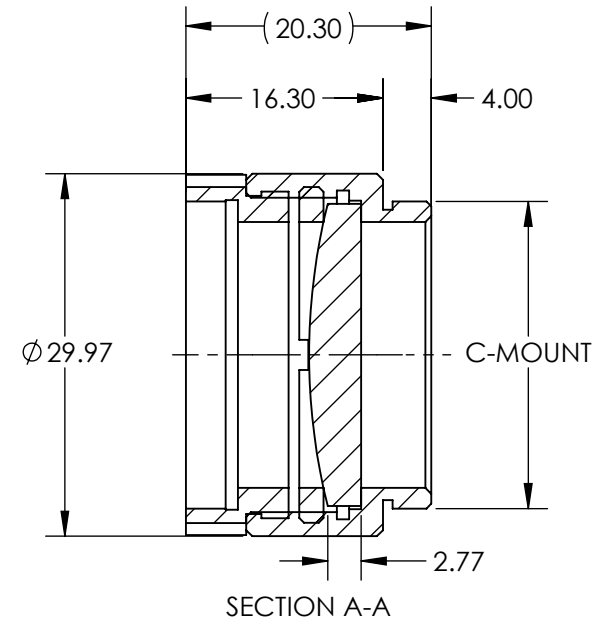
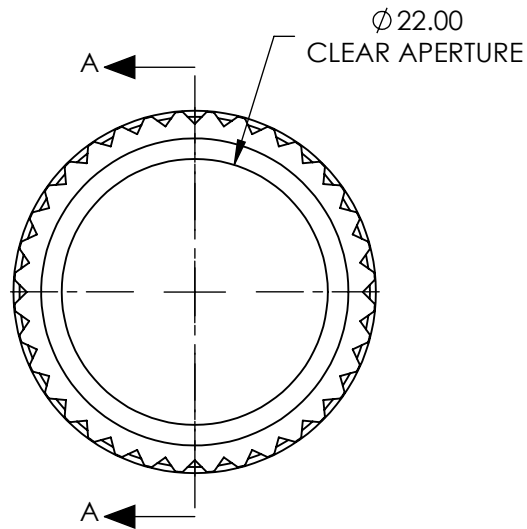


NOTES:

1. SUBSTRATE:  
N-BK7
2. ROHS COMPLIANT
3. COATING (APPLY ACROSS COATING APERTURE)  
S1 & S2: MgF2 (400-700nm)  
R(AVG) ≤ 1.75% @ 400 - 700nm
4. FOCAL LENGTH (EFL): 100.00 ± 1 %  
FOCAL LENGTH (BFL) FROM MECHANICAL HOUSING: 91.37
5. LENS INCLUDED: #32-482  
MOUNT INCLUDED: #56-353

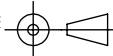
**FOR INFORMATION ONLY:  
DO NOT MANUFACTURE  
PARTS TO THIS DRAWING**



SPECIFICATIONS SUBJECT TO CHANGE WITHOUT NOTICE  
DIMENSIONS ARE FOR REFERENCE ONLY

	S1	S2
SHAPE	CONVEX	PLANO
RADIUS	51.68	INFINITY
SURFACE QUALITY	40-20	40-20
POWER AT 632.8nm	1.5λ	1.5λ
IRREGULARITY AT 632.8nm	λ/4	λ/4

THIRD ANGLE PROJECTION



ALL DIMS IN

mm

**EO**® Edmund Optics®

TITLE

22mm CA, 100mm FL, Mounted MgF2  
Coated Plano-Convex Lens

DWG NO

13000

SHEET  
1 OF 1