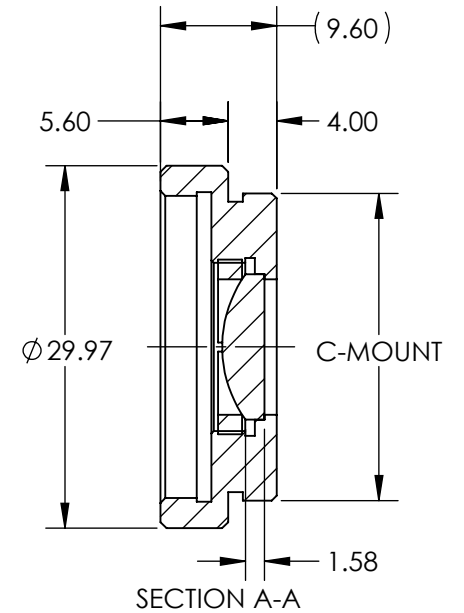
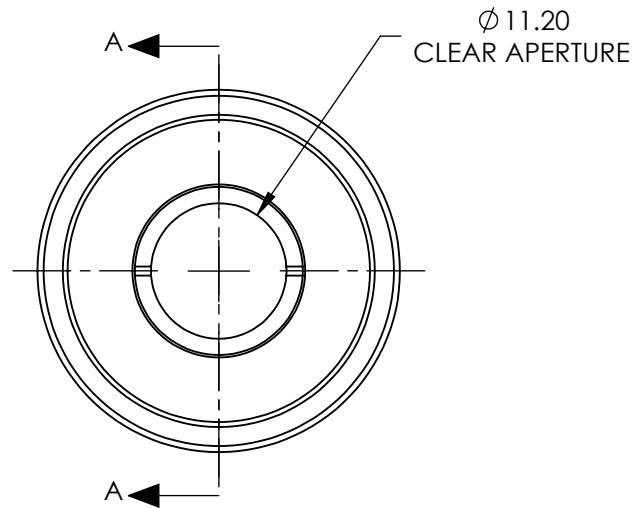


NOTES:

1. SUBSTRATE:  
N-BK7
2. ROHS COMPLIANT
3. COATING (APPLY ACROSS COATING APERTURE)  
S1 & S2: MgF2 (400-700nm)  
R(AVG) ≤ 1.75% @ 400 - 700nm
4. FOCAL LENGTH (EFL): 20.00 ± 1 %  
FOCAL LENGTH (BFL) FROM MECHANICAL HOUSING: 16.69
5. LENS INCLUDED: #49-887  
MOUNT INCLUDED: #54-615

**FOR INFORMATION ONLY:  
DO NOT MANUFACTURE  
PARTS TO THIS DRAWING**



SPECIFICATIONS SUBJECT TO CHANGE WITHOUT NOTICE  
DIMENSIONS ARE FOR REFERENCE ONLY

	S1	S2
SHAPE	CONVEX	PLANO
RADIUS	10.34	INFINITY
SURFACE QUALITY	40-20	40-20
POWER AT 632.8nm	1.5λ	1.5λ
IRREGULARITY AT 632.8nm	λ/4	λ/4

THIRD ANGLE PROJECTION

ALL DIMS IN      mm

**EO**® **Edmund Optics**®

TITLE	11.2mm CA, 20mm FL, Mounted MgF2 Coated Plano-Convex Lens	
DWG NO	12916	SHEET 1 OF 1