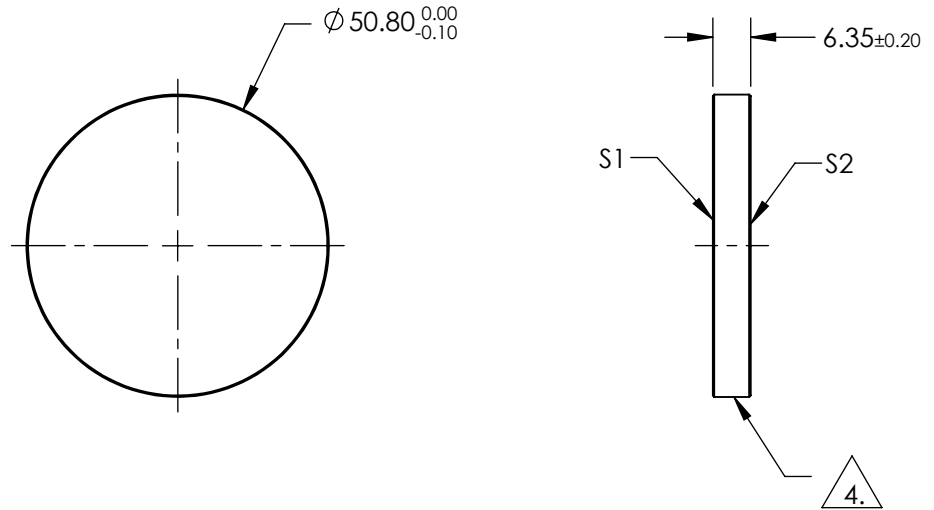


NOTES:


1. SUBSTRATE:  
Fused Silica
2. SURFACE S2 TO BE PARALLEL TO SURFACE S1 TO WITHIN < 3 ARCMIN
3. COATING (APPLY ACROSS COATING APERTURE)  
S1 & S2: NONE

4. FINE GRIND SURFACE



**FOR INFORMATION ONLY:  
DO NOT MANUFACTURE  
PARTS TO THIS DRAWING**

SPECIFICATIONS SUBJECT TO CHANGE WITHOUT NOTICE  
DIMENSIONS ARE FOR REFERENCE ONLY

	S1	S2				
SHAPE	PLANO	PLANO				
SURFACE ACCURACY P-V AT 632.8nm	0.10 WAVE	0.10 WAVE	DWG NO 37690			
SURFACE QUALITY	10-5	10-5				
CLEAR APERTURE	$\varnothing 45.72$	$\varnothing 45.72$	ALL DIMS IN mm			
BEVEL	PROTECTIVE AS NEEDED	PROTECTIVE AS NEEDED				