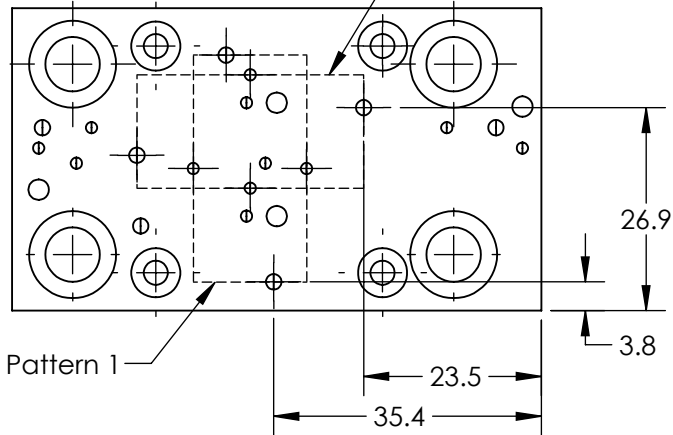
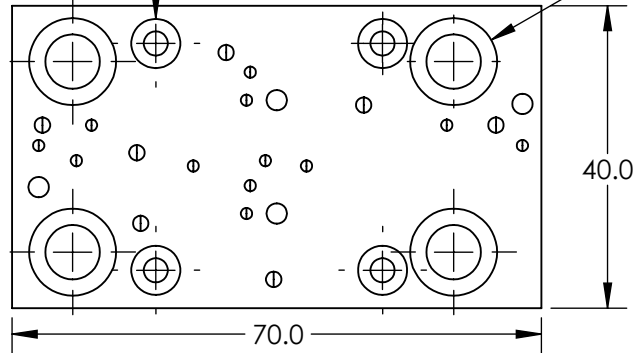
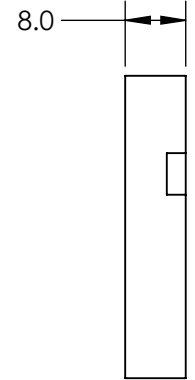
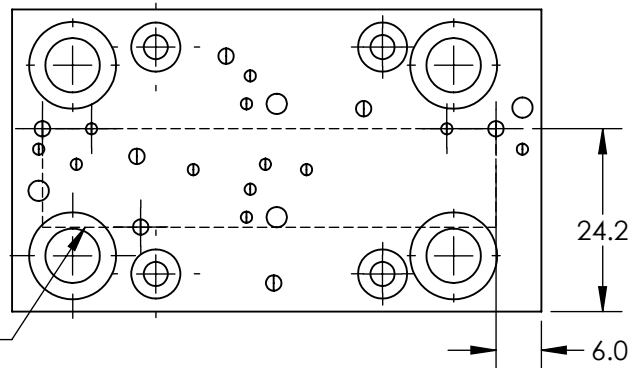


4X M3 SHCS MOUNTING HOLES
30mm SQUARE HOLE PATTERN

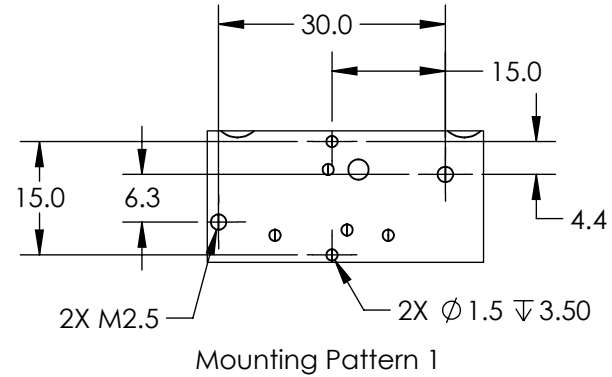
4X M6 MOUNTING HOLES FOR
METRIC OPTICAL TABLE
25 x 50mm HOLE PATTERN



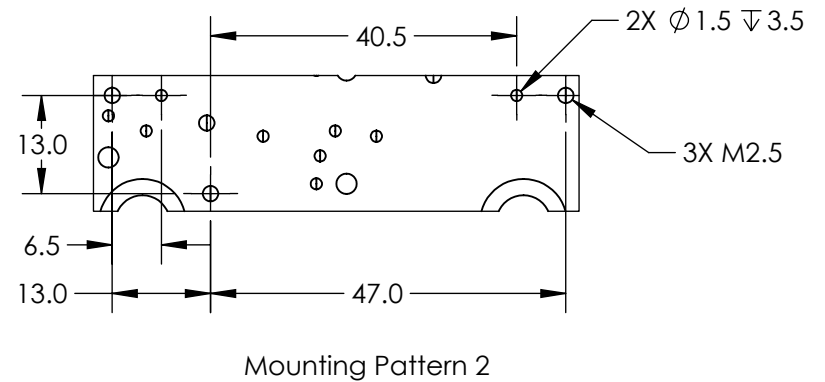
Mounting Pattern 1



Mounting Pattern 2



Mounting Pattern 1



Mounting Pattern 2

**FOR INFORMATION ONLY:
DO NOT MANUFACTURE
PARTS TO THIS DRAWING**

SPECIFICATIONS SUBJECT TO
CHANGE WITHOUT NOTICE
DIMENSIONS ARE FOR
REFERENCE ONLY

EO® Edmund Optics®

THIRD ANGLE PROJECTION		TITLE	Table Adapter for Precision Compact Motorized Stages	
ALL DIMS IN	mm	DWG NO	63447	SHEET 1 OF 1