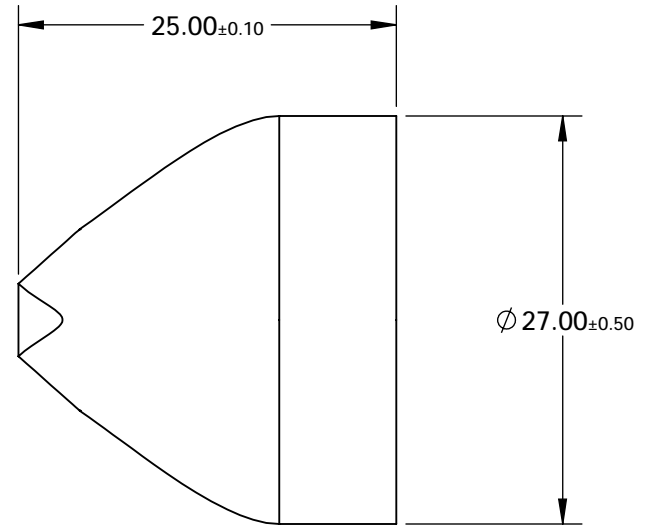
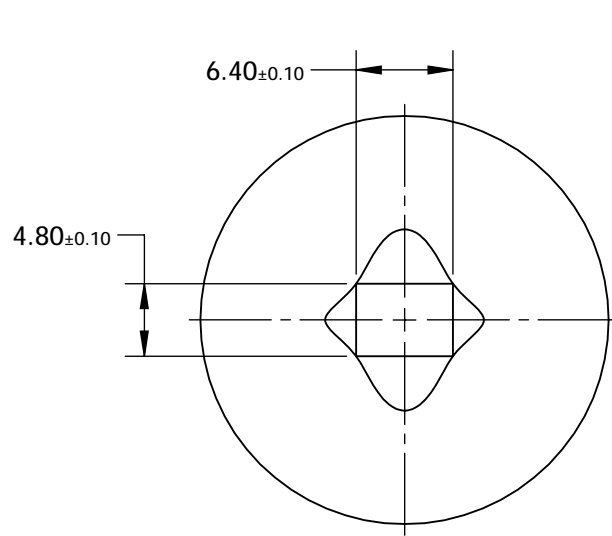


NOTES:

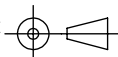
1. MATERIAL: SCHOTT 24 GLASS WITH EMA
2. CORE/CLAD RATIO: 50/50
3. RoHS: EXEMPT



**FOR INFORMATION ONLY:  
DO NOT MANUFACTURE  
PARTS TO THIS DRAWING**

SPECIFICATIONS SUBJECT TO CHANGE WITHOUT NOTICE  
DIMENSIONS ARE FOR REFERENCE ONLY

	VALUE
DISTORTION (%)	3.00
NUMERICAL APERTURE	1.00
RESOLUTION (lp/mm)	72
RESOLVING POWER	8.00

THIRD ANGLE PROJECTION 

ALL DIMS IN mm

 **Edmund Optics®**

TITLE: FIBER OPTIC TAPER FOR 25mm TO 1/2" SENSOR

DWG NO: 55140

SHEET 1 OF 1