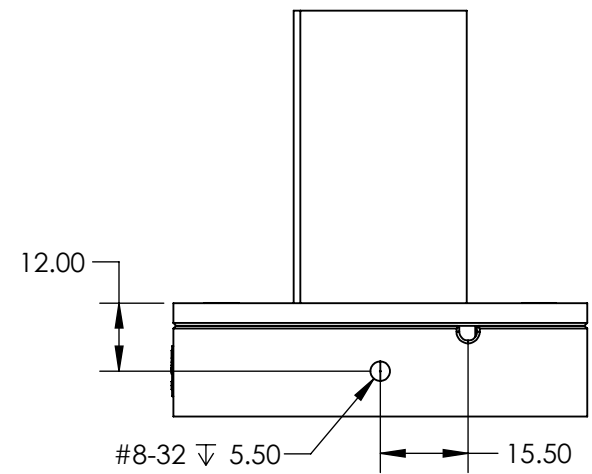
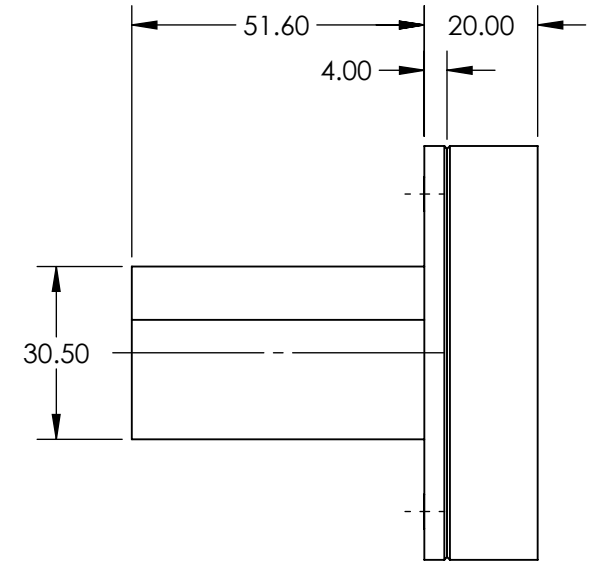
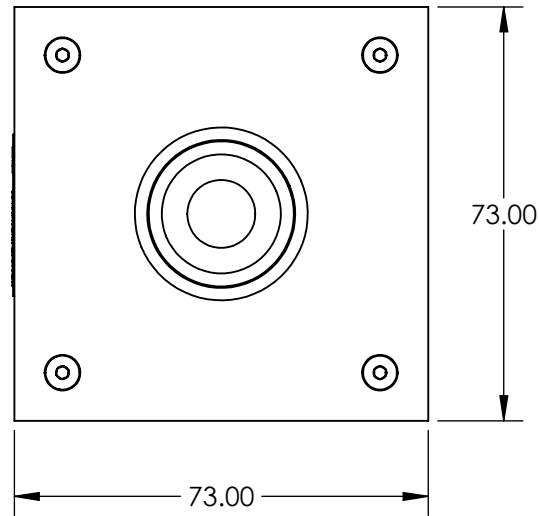


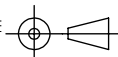
NOTES:
 1. RoHS: COMPLIANT



**FOR INFORMATION ONLY:
 DO NOT MANUFACTURE
 PARTS TO THIS DRAWING**

SPECIFICATIONS SUBJECT TO
 CHANGE WITHOUT NOTICE
 DIMENSIONS ARE FOR
 REFERENCE ONLY

EO® Edmund Optics®

THIRD ANGLE PROJECTION 		TITLE	0.19 - 20µm, 3W, THERMOPILE POWER DETECTOR	
ALL DIMS IN	mm	DWG NO	89312	SHEET 1 OF 1