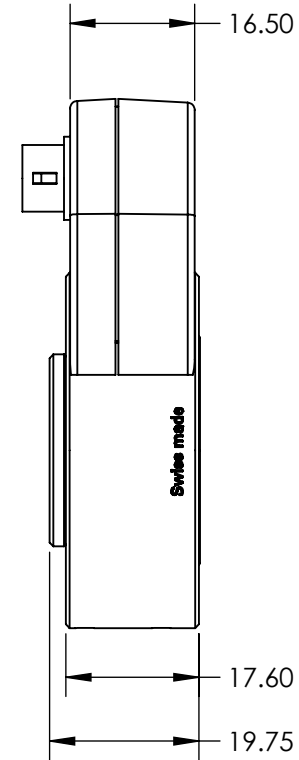
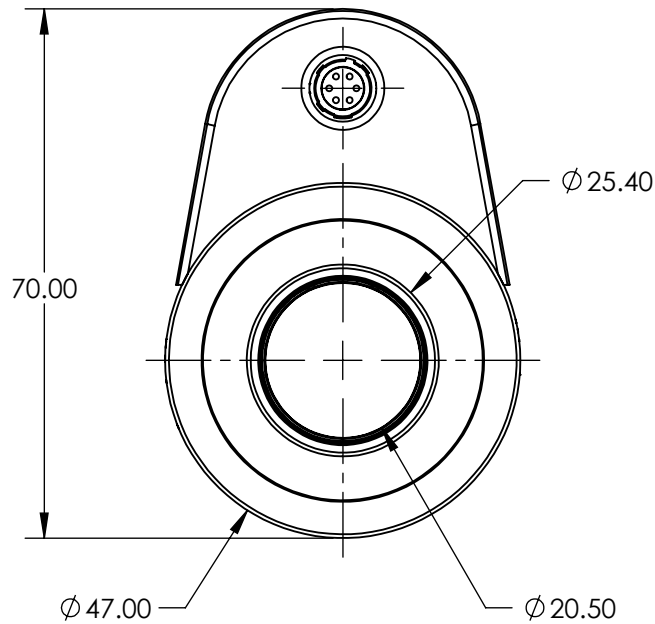
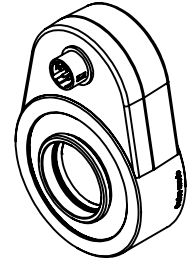


NOTES:

1. COATING:  
BBAR (420 - 950nm)
2. TRANSMITTED WAVEFRONT ERROR, RMS:  
VERTICAL: 0.25λ @ 525nm  
HORIZONTAL: 0.50λ @ 525nm
3. RoHS: COMPLIANT



**FOR INFORMATION ONLY:  
DO NOT MANUFACTURE  
PARTS TO THIS DRAWING**

SPECIFICATIONS SUBJECT TO CHANGE WITHOUT NOTICE  
DIMENSIONS ARE FOR REFERENCE ONLY

	VALUE
INDEX OF REFRACTION	1.3
POWER CONSUMPTION (W)	0 - 0.70
WAVELENGTH RANGE (nm)	420 - 950
TUNING RANGE (DIOPTERS)	-10 TO +10
SETTLING TIME (ms)	25 (TYP @ 30°C)



ALL DIMS IN

mm

**EO**® **Edmund Optics**®

TITLE

-10 TO +10 DIOPTER, C-MOUNT TO C-MOUNT  
FOCUS TUNABLE LENS

DWG NO

35086

SHEET  
1 OF 1